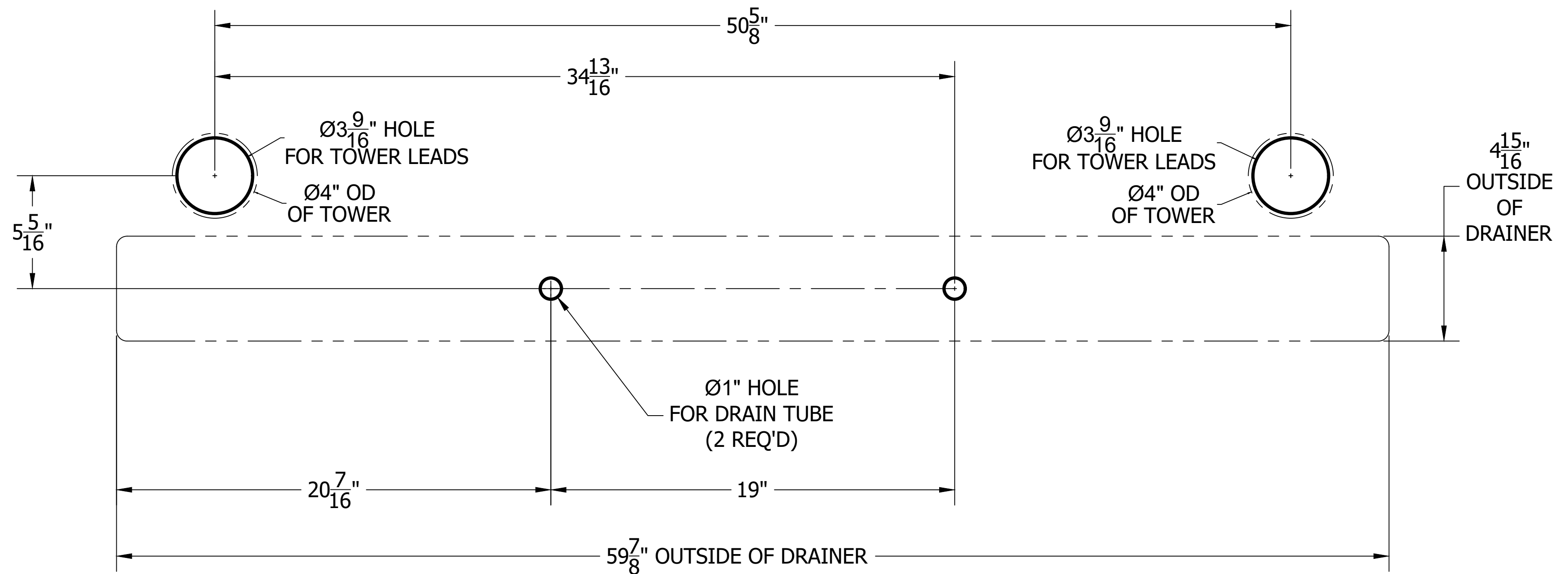
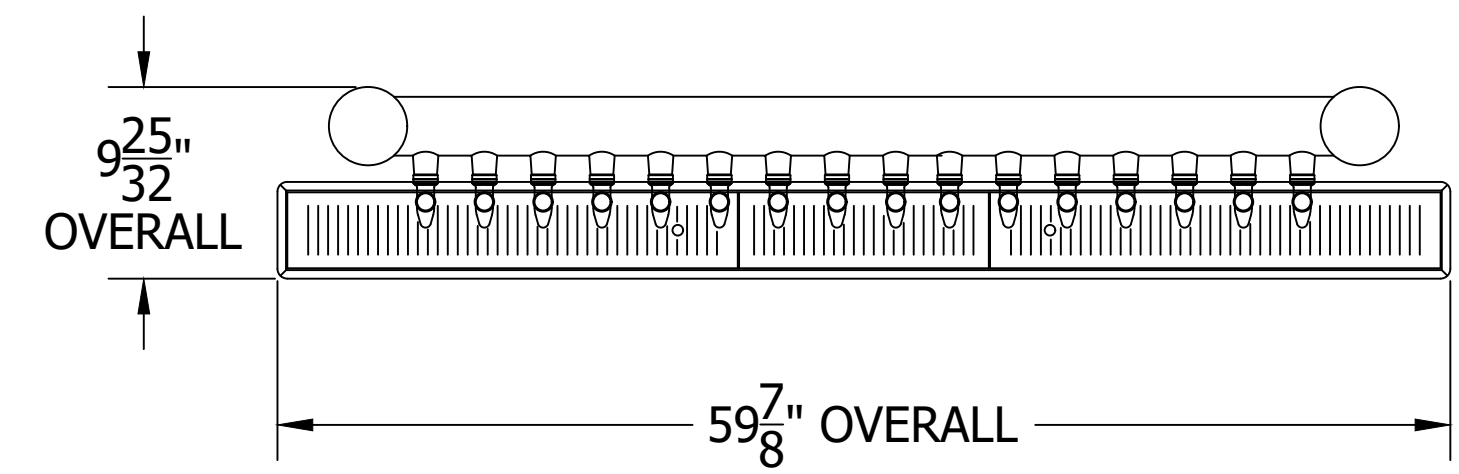
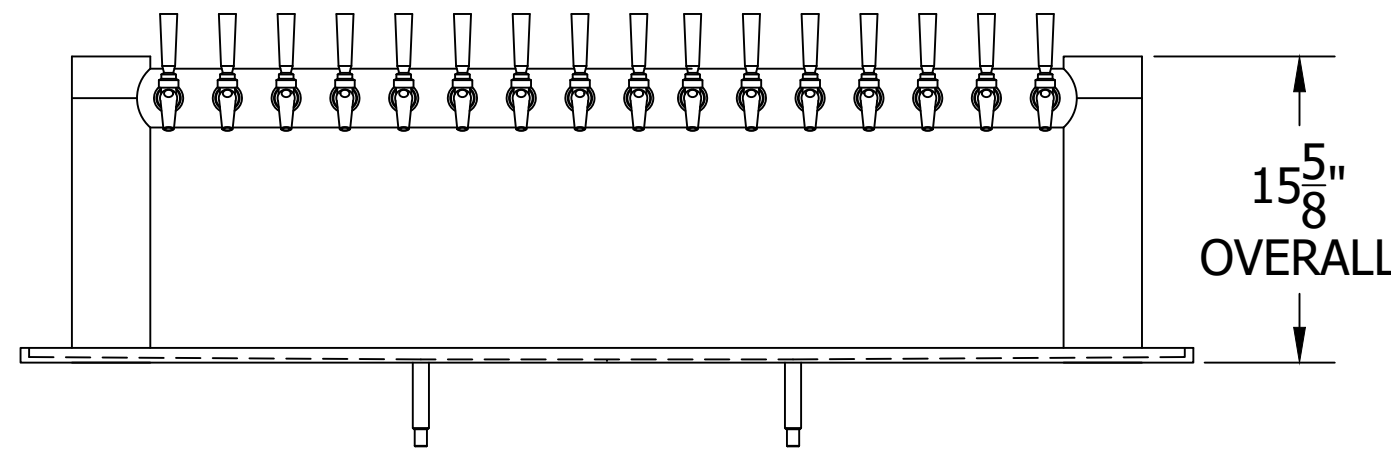


4072, AVENUE 16-FAUCET H-TOWER & 5036 TOP MOUNTED DRAINER

630SS FAUCETS MOUNTING TEMPLATE



**** DRAWING NOT TO FULL SCALE ****