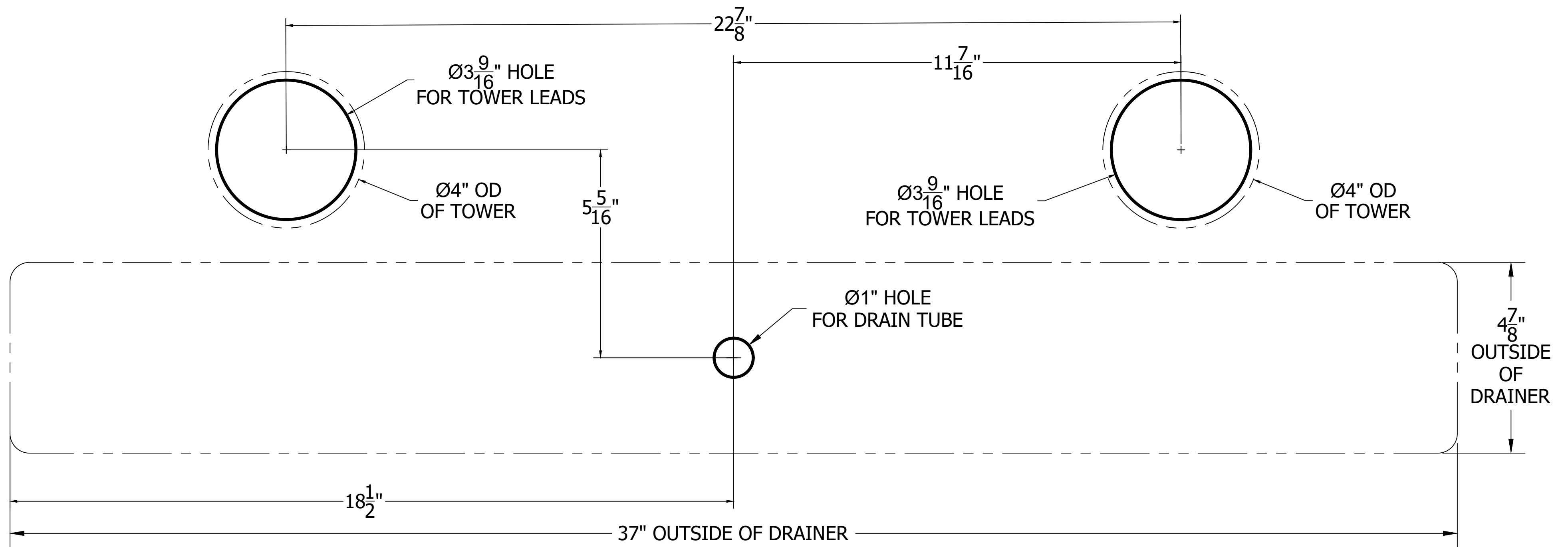
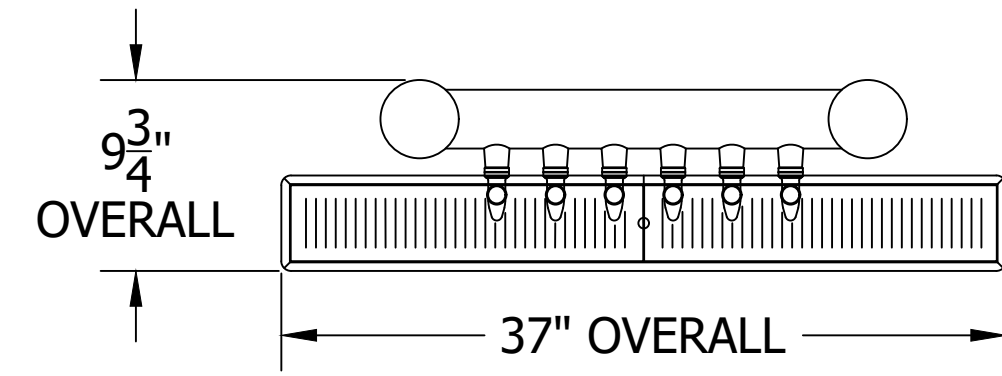
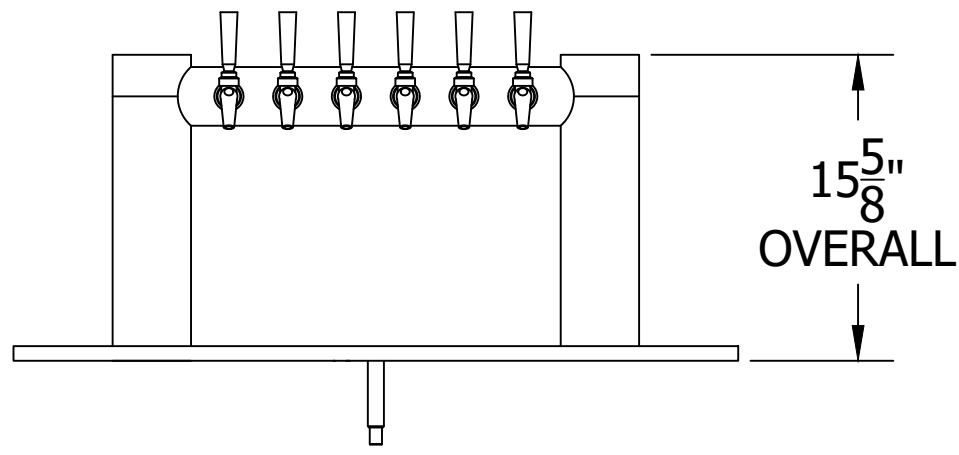


# 4072, AVENUE 6-FAUCET H-PIPE TOWER & 5030 TOP MOUNTED DRAINER WITH 630SS FAUCETS MOUNTING TEMPLATE



**\*\*DRAWING NOT TO FULL SCALE\*\***