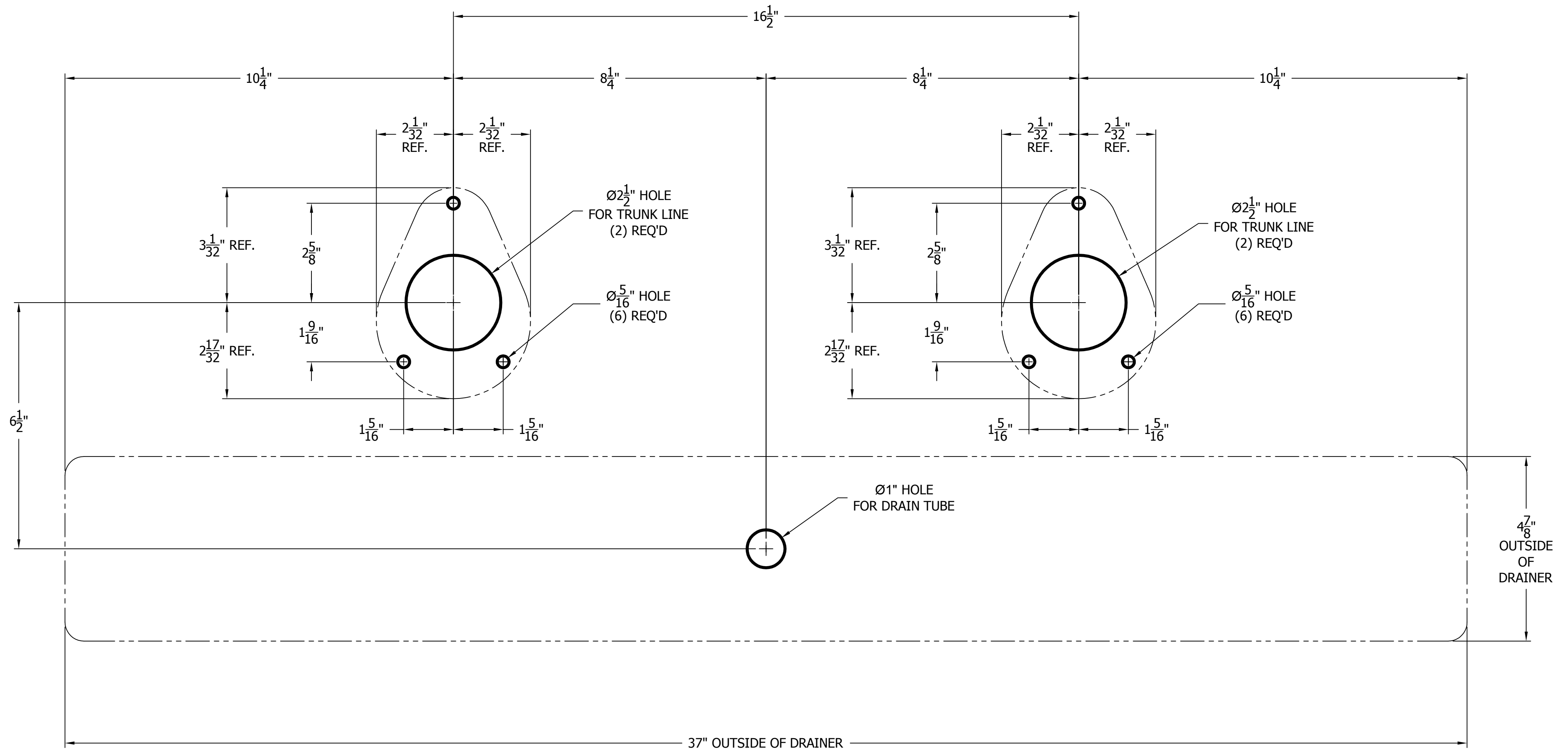
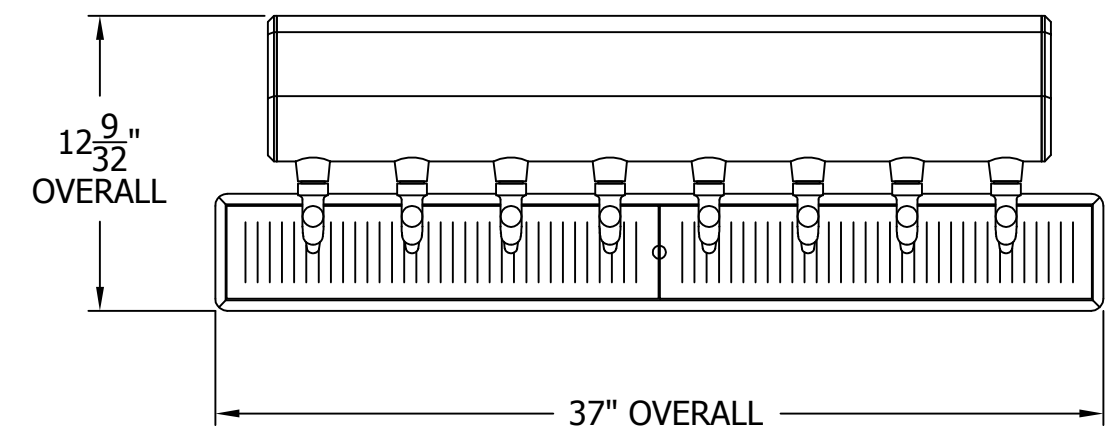
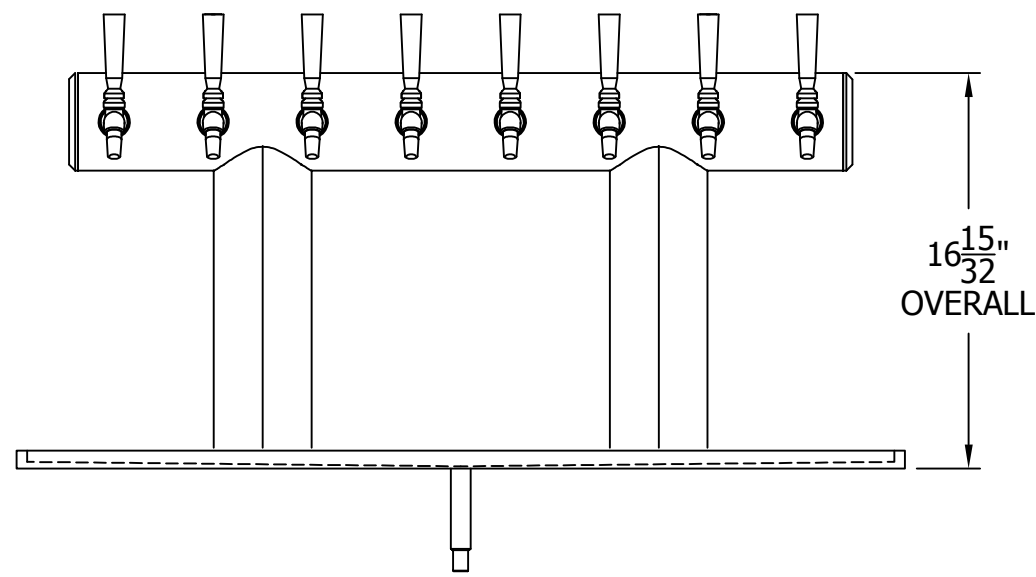


# 66500-8B WINGED BRIDGE TOWER & 5030 TOP MOUNTED DRAINER

## WITH 525SS FAUCETS MOUNTING TEMPLATE



**DRAWING NOT TO FULL SCALE**



PERLICK CORPORATION  
MILWAUKEE, WI 53223  
PROPERTY OF THE PERLICK CORP.  
NOT TO BE COPIED OR USED DETRIMENTAL TO OUR INTERESTS.

LAST MODIFIED  
1/31/2012

SCALE 1:2  
DR. JMP DATE 1/31/2012

94215-525