



Installation Instructions

Dispensing Towers

Draft Arm, Lucky, Panther or Tee Towers



Draft Arm



Lucky Tower



Panther Tower



Tee Tower

Form No. Z2351
Rev. 11.2.22



DISPENSING TOWERS
DRAFT ARMS, 2-6 FAUCET TEE TOWERS, LUCKY AND PANTHER TOWERS

TABLE OF CONTENTS

Beer and Wine Kits 3

Tools and Materials Required 3

Dispensing Kit Component Parts 3

Air Scoops for Field Retrofit Kits 7

General Installation and Field Retrofit Installation 8

Safety Information 8

About Wine Dispensing 8

Air Distributor and Air Scoop Installation - Field Retrofit Instructions 9

 Air Tubing to Air Scoop Attachment 9

 Air Distributor Assembly Attachment to Cabinet 9

Draft Arm and Tee Tower Instructions 10

 Draft Arm Preparation 10

 Tee Tower Preparation 10

 Mounting Draft Arms or Tee Towers to a Cabinet Top 10

 Mounting Draft Arms or Tee Towers to a Counter Top 11

 Attaching Faucets to Draft Arms or Tee Towers 11

 Mounting the Beer/Wine Drainer to a Cabinet Top 11

 Mounting the Beer/Wine Drainer to a Counter Top 12

 Running the Air Scoop Tubing to the Draft Arms or Tee Towers 12

 Attaching the Beer Line to the Draft Arms or Tee Towers 13

 Attaching the Wine Line to Draft Arms or Tee, Lucky or Panther Towers 13

 Attaching the Gas Line Tubing 14

 Attaching the Tapping Hole Covers 14

 Attaching the Air Distributor Cover 14

 Checking the System for Leaks 14

Lucky and Panther Tower Instructions 15

 Lucky and Panther Tower Preparation 15

 Mounting Lucky or Panther Towers to a Cabinet Top 15

 Mounting Lucky or Panther Towers to a Counter Top 15

 Attaching Faucets to Lucky or Panther Towers 15

 Mounting the Beer/Wine Drainer to a Cabinet Top 16

 Mounting the Beer/Wine Drainer to a Counter Top 17

 Running the Air Scoop Tubing to the Lucky or Panther Towers 17

 Attaching the Beer Line to the Lucky or Panther Towers 18

 Attaching the Gas Line Tubing 18

 Attaching the Tapping Hole Covers 18

 Attaching the Air Distributor Cover 19

 Checking the System for Leaks 19

Appendix 20

Perlick® DISPENSING TOWERS
DRAFT ARMS, 2-6 FAUCET TEE TOWERS, LUCKY AND PANTHER TOWERS

Please follow these instructions to ensure proper installation of Perlick beer and wine dispensing towers. These instructions cover 3" Draft Arms and Tee, Lucky and Panther Towers. These instructions apply to the following beer and wine dispensing kits:

Beer Kits

69526-1DA	69526-1DATF	69526-2DA	69526-2DATF	69526-3DA	69526-3DATF
69526-2TT	69526-2TTTF	69526-3TT	69526-3TTTF	69526-4TT	69526-4TTTF
69526-5TT	69526-5TTTF	69526-6TT	69526-6TTTF	69526-2N	69526-2NTF
69526-1L	69526-1LG	69526-2L	69526-2LG	69526-3P	69526-3PG
67945-2DA	67945-2TT	67945-4TT	67945-2L		

Wine Kits

69526W-1DA	69526W-2DA	69526W-3DA	69526W-2TT	69526W-3TT
69526W-4TT	69526W-5TT	69526W-1L	69526W-2L	69526W-3P
67945W-2DA	67945W-2TT	67945W-4TT	67945W-2L	

For field installation, add a -R to the factory kit part number.

Note: Each kit contains enough hardware to install up to six product lines. Depending on how many lines you are installing, you may have parts left over after the installation is complete.

Tools and Materials Required

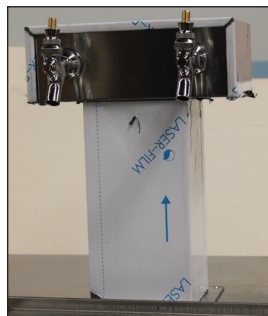
- Safety glasses
- Rubber gloves
- Utility knife or vinyl tubing cutter
- Slotted screwdriver
- 1/4" nut driver (optional)
- 6" or 8" adjustable wrench
- Cordless drill driver
- 5/16" socket head driver bit

Dispensing Kit Component Parts

- Draft Arm, Tee Tower, Lucky or Panther Tower



Draft Arm



Tee Tower



**Lucky (shown)
or Panther Tower**

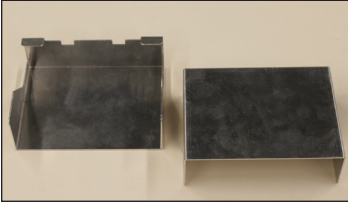


DISPENSING TOWERS
DRAFT ARMS, 2-6 FAUCET TEE TOWERS, LUCKY AND PANTHER TOWERS

Dispensing Kit Component Parts, Continued



- Air Distributor Cover 68678-1



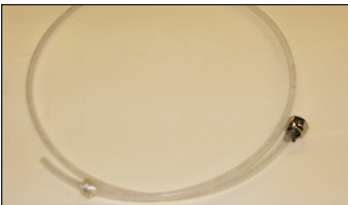
- DZS36 Air Distributor Cover 68779-1



- Gas/CO2 Tubing C23975-1



- Beer Line Connector 532



- Wine Line Connector 67750



- Anti-Microbial Drain Tubing 1390D



DISPENSING TOWERS
DRAFT ARMS, 2-6 FAUCET TEE TOWERS, LUCKY AND PANTHER TOWERS

Dispensing Kit Component Parts, Continued



- 630SS – Forward Sealing Faucet, 304 Stainless Steel



- Silicone Sealant C15997



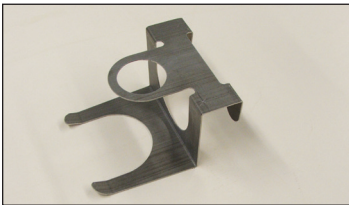
- Drain Pan C18640A



- DZS36 Drip Tray 68819



- Waste Bottle - Wine C24392-1



- Waste Bottle Holder - Wine 68693-1



DISPENSING TOWERS
DRAFT ARMS, 2-6 FAUCET TEE TOWERS, LUCKY AND PANTHER TOWERS

Dispensing Kit Component Parts, Continued



- Tapping Parts Kit 67305



- Tapping Parts Kit - Wine 67305W



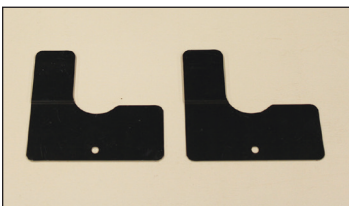
- PVC Pipe 67562



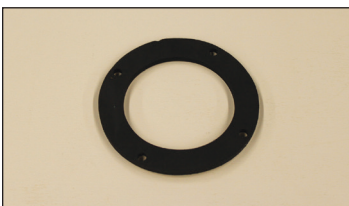
- Parts Bag 67835



- Keg Coupler, 304 Stainless Steel - 36000SS



- Tapping Cover 67852-1

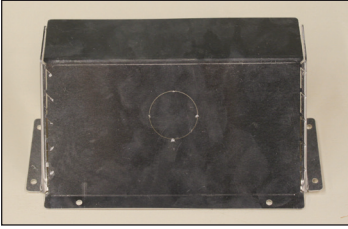


- Gasket 57355-1

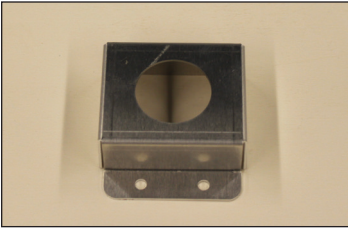


DISPENSING TOWERS
DRAFT ARMS, 2-6 FAUCET TEE TOWERS, LUCKY AND PANTHER TOWERS

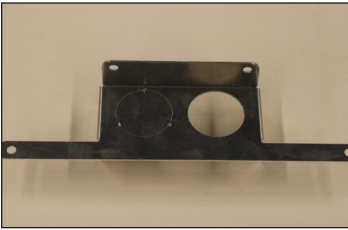
Air Scoops for Field Retrofit Kits (-R) only - see page 9.



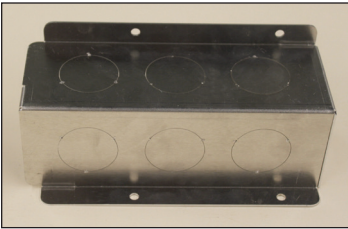
- Air Scoop 69315-1
For BBR/BBRN/PTR



- Air Scoop 68686-2
For DZS60



- Air Scoop 68778-1
For PTS



- Air Scoop 68685-1
For BBS/BBSN

**Perlick® DISPENSING TOWERS
DRAFT ARMS, 2-6 FAUCET TEE TOWERS, LUCKY AND PANTHER TOWERS**

General Installation and Field Retrofit Installation

Cabinets ordered with a dispensing kit from the factory will already have the air distributor and air scoop installed. If you are doing a field retrofit on a previously installed cabinet, your kit also will include an air distributor and an air scoop. Please refer to the *Air Distributor and Air Scoop Installation - Field Retrofit Instructions* section on the following page to install these components. Note that field retrofit kits will have a “-R” at the end of the kit model number.

Beer/Wine System Safety



WARNING - Any compressed gas such as CO2 can be dangerous! It is important that reputable companies are used to supply and install systems and to thoroughly train all staff who will use the system.

NEVER Connect a pressurized gas cylinder unless there are at least two safety mechanisms in the pressure system. At least one at the regulator and one at the product container coupler.

NEVER Connect a pressurized gas cylinder directly to a keg.

NEVER Connect your own equipment to the pressure system.

ALWAYS Report any damage or leaks and have them repaired immediately.

ALWAYS Store gas cylinders in the upright position.

ALWAYS Ventilate after a gas leak.

ALWAYS Keep gas cylinders away from heat and preferably stored in a cooler part of the establishment.

ALWAYS Thoroughly train all staff who use the equipment.

About Wine Dispensing

Perlick offers the industry’s most complete line of commercial refrigerated wine storage and serving equipment. Perlick’s WINEcertified family of products, specified in the Dispensing Kit Component Parts section of this document, are manufactured specifically to properly store and dispense wine.



Wine components include a sanitary 304 stainless steel faucet, shank, union and keg coupler with a sanitary 304 stainless steel probe, as well as flavor-lock tubing, all to protect the delicate flavors of wines.

To preserve the integrity of Perlick WINEcertified wine products and systems, DO NOT use beer kit components in wine systems.



WARNING: California Prop 65 Notice

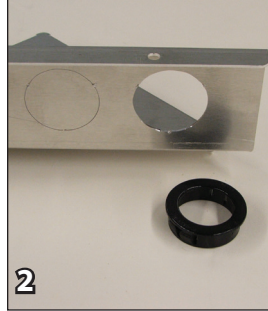
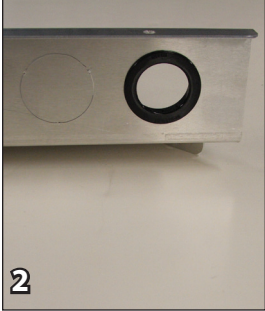
These products may expose you to chemicals including Chromium, which are known to the state of California to cause cancer and birth defects or other reproductive harm. For more information on whether a product in this list contains these chemicals, please refer to the specific product page at perlick.com. Or to find out more about Prop 65, go to P65Warnings.ca.gov.



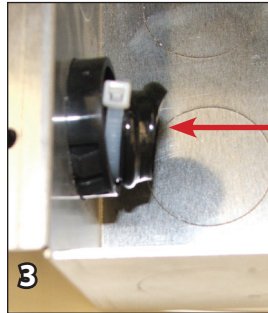
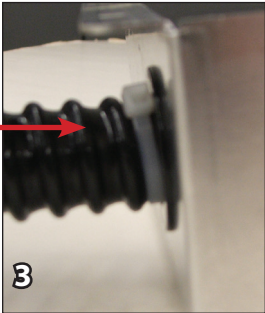
DISPENSING TOWERS
DRAFT ARMS, 2-6 FAUCET TEE TOWERS, LUCKY AND PANTHER TOWERS

AIR DISTRIBUTOR AND AIR SCOOP INSTALLATION - FIELD RETROFIT INSTRUCTIONS

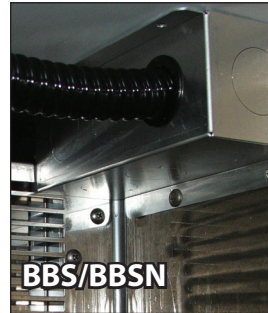
Air Tubing to Air Scoop Attachment



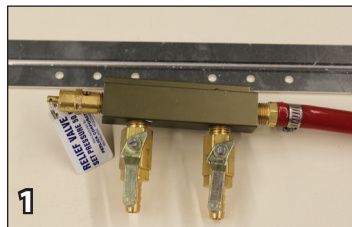
1. Select the appropriate air scoop for the cabinet model being retrofitted. Air scoop photos with the cabinet models they apply to are shown on page 7.
2. Knock out the desired slug from the air scoop and insert the 1" snap bushing.



3. Secure the air tube in place by attaching a cable tie on each side of the snap ring.
4. Mount the air scoop assembly against the air discharge plenum of the evaporator.
5. Please refer to **Diagram 5 in the Appendix** for a drawing of the air scoop used on the BBS, BBSN, and PTS Models.



Air Distributor Assembly Attachment to Cabinet



1. Place the air distributor cover bracket behind the air distributor assembly and mount it to the desired location on the cabinet wall. (Two-line assembly shown.)



DISPENSING TOWERS
DRAFT ARMS, 2-6 FAUCET TEE TOWERS, LUCKY AND PANTHER TOWERS

DRAFT ARM AND TEE TOWER INSTRUCTIONS

Draft Arm Preparation



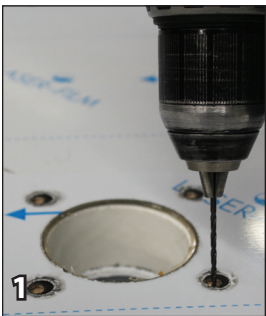
Remove backing from foam gasket #57355-1. Attach the gasket to the bottom flange of the draft arm, ensuring the four mounting holes are aligned.

Tee Tower Preparation

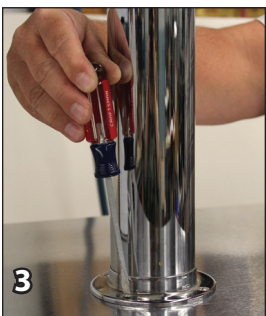
There is no preparation needed for Tee Tower style dispensing heads.

Mounting Draft Arms or Tee Towers to a Cabinet Top

Note: If you are mounting the tower to a counter top instead of the cabinet top, please refer to the section titled *Mounting Draft Arms or Tee Towers to a Counter Top* on the following page.



1. Most cabinets come with pre-drilled hole configurations in the cabinet top for mounting dispensing towers and drainers. However, if the holes need to be drilled during field installation, templates are available at www.perlick.com/bar-beverage-equipment/specifications-downloads/tower-and-drip-pan-templates/.
2. Factory-provided tapping holes will have a wood block embedded in the cabinet top for additional support. It is recommended that you drill 3/32" pilot holes into the wood block for the four mounting holes on the tower flange. Remove the protective film paper from the area where the tower will be installed.



3. Attach the dispensing tower to the cabinet top using a flathead screwdriver. To prevent accidental scratches or gouges, cover the tower flange and cabinet top while mounting the tower. The tower should be sealed to the cabinet top with a food grade RTV silicone.

Mounting Draft Arms or Tee Towers to a Counter Top

1. A PVC tube, (Part #67562), is included in the tapping kit. This will be used as an air shaft when mounting to a counter top. **Please refer to Diagram 7 in the Appendix** for detail on how to mount a Draft Arm or Tee Tower to a counter top. The tower should be sealed to the cabinet top with a food grade RTV silicone.

**Perlick® DISPENSING TOWERS
DRAFT ARMS, 2-6 FAUCET TEE TOWERS, LUCKY AND PANTHER TOWERS**

DRAFT ARM AND TEE TOWER INSTRUCTIONS, Continued

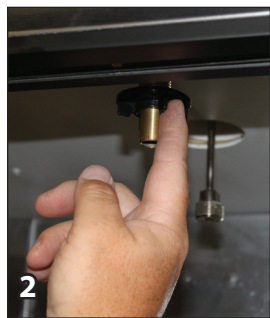
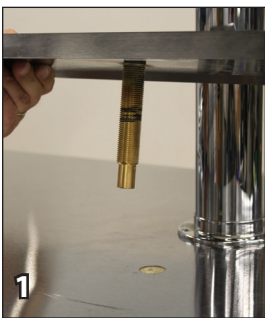
Attaching Faucets to Draft Arms or Tee Towers



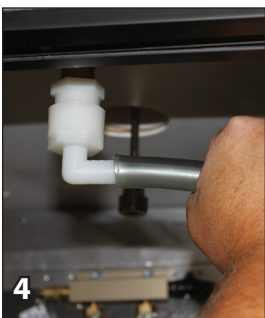
1. Align splines on faucet to nut on faucet head. Orient faucet so it is perpendicular to the cabinet top. Hand tighten.
2. Using the spanner wrench provided, snug faucet tight. Do not over-tighten.

Mounting the Beer/Wine Drainer to a Cabinet Top

Note: If you are mounting the drainer to a counter top instead of the cabinet top please refer to the section titled *Mounting the Beer/Wine Drainer to a Counter Top*.



1. Slide the threaded drainer nipple through cabinet top hole. On the underside of the cabinet top, tighten the drainer using the plastic nut. Take caution not to over-tighten.
2. Attach the nylon reducing bushing to the drainer until hand tight.
3. Attach the nylon elbow to the reducing bushing.



4. Slide the 1/2" ID anti-microbial drain tubing over the barbed end of the nylon elbow.
5. Use the nylon hose clips and self-drilling screws to secure the drain tubing to the cabinet walls. Ensure the tubing will be out of the way of loading and unloading kegs.



6. Route the anti-microbial tubing to the beer/wine collection drain or waste container. It may be routed to the floor drain located in the right rear corner of the cabinet. The cabinet floor drain must then be plumbed to an external drain. There are also knockouts provided on the cabinet ends as other options for exiting the cabinet.
7. Wine dispensing kits also include a polyethylene waste bottle as an optional method to collect wine waste. The waste bottle holder is hung over the rim of a keg and the waste bottle is snapped into the holder.
8. Apply a bead of silicone around the perimeter of the drainer.



DISPENSING TOWERS

DRAFT ARMS, 2-6 FAUCET TEE TOWERS, LUCKY AND PANTHER TOWERS

DRAFT ARM AND TEE TOWER INSTRUCTIONS, Continued

Mounting the Beer/Wine Drainer to a Counter Top

Note: If you are mounting the drainer to the cabinet top instead of a counter top, please refer to the section titled *Mounting the Beer/Wine Drainer to a Cabinet Top*.



1. Slide the 1/2" ID anti-microbial drain tubing over the end of drainer nipple. Feed the drain tubing through the drainer hole of the counter top and the cabinet top.

2. Use the nylon hose clips and self-drilling screws to secure the drain tubing to the cabinet walls. Ensure the tubing will be out of the way of loading and unloading kegs.



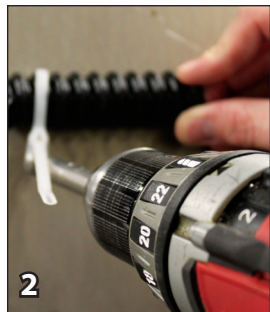
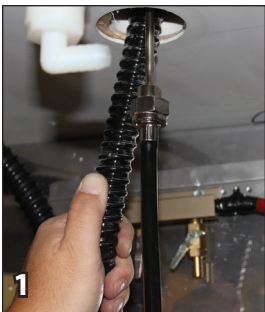
3. Route the anti-microbial tubing to the beer/wine collection drain or waste container. It may be routed to the floor drain located in the right rear corner of the cabinet. It must then be plumbed to an external drain. There are also knockouts provided on the cabinet ends as other options for exiting the cabinet.

4. Wine dispensing kits also include a polyethylene waste bottle as an optional method to collect wine waste. The waste bottle holder is hung over the rim of a keg and the waste bottle is snapped into the holder.



5. Apply a bead of silicone around the perimeter of the drainer. This will provide a seal as well as hold it in position.

Running the Air Scoop Tubing to the Draft Arms or Tee Towers



1. Trim the black corrugated tubing from the air scoop so the tube is inserted approximately halfway into the dispensing head.

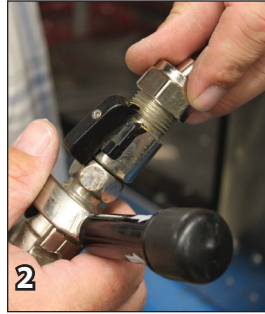
2. Use the mountable cable tie and a self-drilling screw to hold the black air tube out of the way of keg loading and unloading.



DISPENSING TOWERS
DRAFT ARMS, 2-6 FAUCET TEE TOWERS, LUCKY AND PANTHER TOWERS

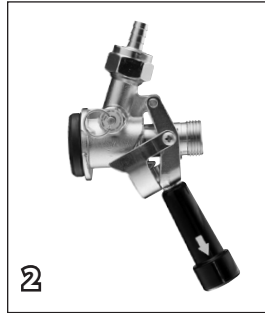
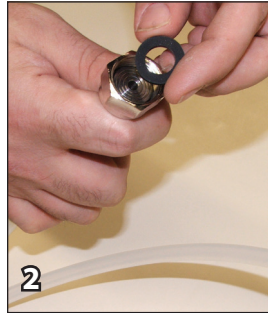
DRAFT ARM AND TEE TOWER INSTRUCTIONS, Continued

Attaching the Beer Line to the Draft Arms or Tee Towers



1. Insert rubber washer into end of beer line connector and attach to the beer fitting on the Draft Arm tower. Tighten with an adjustable wrench but do not over-tighten.
2. Insert rubber washer into the other end of the beer line and attach to keg coupler. Tighten with an adjustable wrench but do not over-tighten.
3. Repeat for each additional supply tubes.

Attaching the Wine Line to Draft Arms or Tee, Lucky or Panther Towers



1. Push the flavor lock barrier tubing over the barbed connection on the wine tower and secure it with a clench style clamp.
2. Insert a rubber washer into the other end of the flavor lock barrier tubing and attach it to the keg coupler. Tighten with an adjustable wrench, but do not over-tighten.

Note: Keg couplers are constructed of 304 stainless steel to protect the flavor of beverages.

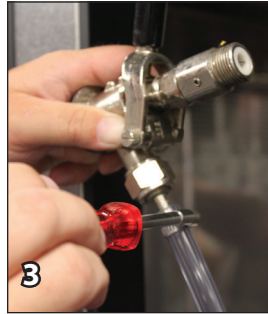
3. Repeat for each additional supply tube.



DISPENSING TOWERS
DRAFT ARMS, 2-6 FAUCET TEE TOWERS, LUCKY AND PANTHER TOWERS

DRAFT ARM AND TEE TOWER INSTRUCTIONS, Continued

Attaching the Gas Line Tubing



1. Attach one end of gas line to a valve on the air distributor manifold and tighten with a hose clamp, using a 1/4" nut driver.
2. Repeat for each additional product line.
3. Attach the other end of the gas line to the keg coupler and tighten with a hose clamp, using a 1/4" nut driver.

Attaching the Tapping Hole Covers



1. To comply with NSF standards, please attach the tapping hole covers provided.
2. The two piece cover can be adjusted to tighten snugly around beer lines and air scoop tubing.
3. Position covers tightly around tubing and mount to the bottom side of the cabinet top using a cordless drill with a 5/16" socket head bit and the self-drilling screws provided. **Please refer to Diagram 3 in the Appendix.**

Attaching the Air Distributor Cover



1. To comply with NSF standards, the air distributor cover should be installed. It easily can be removed to access the valves on the air distributor.
2. Each end of the cover has a knockout to provide clearance for the gas line. Remove the appropriate knockout.
3. Route the gas line through the side of the cover and hang the cover on the air distributor bracket. **Please refer to Diagram 4 in the Appendix.**

Checking the System for Leaks

1. It is important to ensure the entire system is leak free.
2. The system can be checked by doing a pressure decay test or by tapping the system and inspecting for product leaks and checking for gas leaks with soap and bubbles. Repair any leaks immediately.



DISPENSING TOWERS
DRAFT ARMS, 2-6 FAUCET TEE TOWERS, LUCKY AND PANTHER TOWERS

LUCKY AND PANTHER TOWER INSTRUCTIONS

Lucky and Panther Tower Preparation



1. Cut the plastic cable tie and remove the hose clamp.
2. Remove the plastic jam nut, mounting nut, flat washer, and second jam nut. Do not remove the rubber flange gasket.

Mounting Lucky or Panther Towers to a Cabinet Top

Note: If you are mounting the tower to a counter top instead of the cabinet top please refer to the section titled *Mounting Towers Lucky or Panther Towers to a Counter Top*.



1. Most cabinets come with pre-drilled hole configurations in the cabinet top for mounting dispense towers and drainers. However, if the holes need to be drilled during field installation, templates are available at <http://www.perlick.com/bar-beverage-equipment/specifications-downloads/tower-and-drip-pan-templates/>.
2. Insert the threaded mounting shaft through the hole in the cabinet top. On the underside of the cabinet top place large flat washer over threaded shaft and tighten tower down using plastic nut. Take caution not to over-tighten nut. You will not use either of the jam nuts for the installation. The tower should be sealed to the cabinet top with a food grade RTV silicone.

Mounting Lucky or Panther Towers to the Counter Top

1. Please refer to **Diagram 8 in the Appendix** for a detailed drawing on how to mount Lucky or Panther towers to a counter top. The tower should be sealed to the counter top with a food grade RTV silicone.

Attaching Faucets to Lucky or Panther Towers



1. Align splines on faucet to nut on faucet head. Orient faucet so it is perpendicular to the cabinet top. Hand tighten.
2. Using the spanner wrench provided, snug faucet tight. Do not over-tighten.

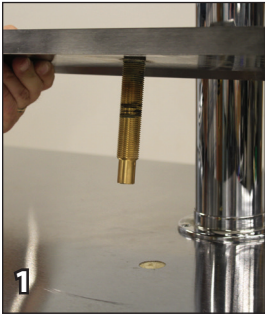


DISPENSING TOWERS
DRAFT ARMS, 2-6 FAUCET TEE TOWERS, LUCKY AND PANTHER TOWERS

LUCKY AND PANTHER TOWER INSTRUCTIONS, Continued

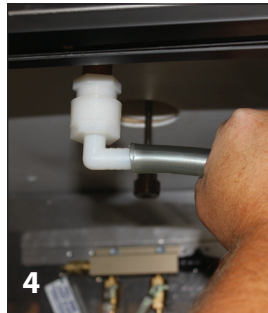
Mounting the Beer/Wine Drainer to a Cabinet Top

Note: If you are mounting the drainer to a counter top instead of the cabinet top, please refer to the section titled *Mounting the Beer/Wine Drainer to a Counter Top*.



1. Slide the threaded drainer nipple through the cabinet top hole. On the underside of the cabinet top, tighten down the drainer using the plastic nut. Take caution not to over-tighten.

2. Attach the nylon reducing bushing to the drainer until hand tight.



3. Attach the nylon elbow to the reducing bushing.

4. Slide the 1/2" ID anti-microbial drain tubing over the barbed end of the nylon elbow.



5. Use the nylon hose clips and self-drilling screws to secure the drain tubing to the cabinet walls. Ensure the tubing will be out of the way of loading and unloading kegs.

6. Route the anti-microbial tubing to the beer/wine collection drain or waste container. It may be routed to the floor drain located in the right rear corner of the cabinet. The cabinet floor drain must then be plumbed to an external drain. There are also knockouts provided on the cabinet ends as other options for exiting the cabinet.



7. Wine dispensing kits also include a polyethylene waste bottle as an optional method to collect wine waste. The waste bottle holder is hung over the rim of a keg and the waste bottle is snapped into the holder.

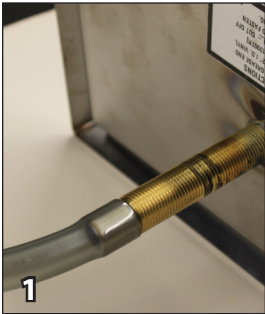
8. Apply a bead of silicone around the perimeter of the drainer.



DISPENSING TOWERS
DRAFT ARMS, 2-6 FAUCET TEE TOWERS, LUCKY AND PANTHER TOWERS

LUCKY AND PANTHER TOWER INSTRUCTIONS, Continued

Mounting the Beer/Wine Drainer to a Counter Top



1. Slide the 1/2" ID anti-microbial drain tubing over end of drainer nipple. Feed the drain tubing through the drainer hole of the counter top and the cabinet top. (The hose may be soaked in hot water prior to doing this to make it more flexible and better fit around the drain pipe.)

2. Use the nylon hose clips and self-drilling screws to secure the drain tubing to the cabinet walls. Ensure the tubing will be out of the way of loading and unloading kegs.



3. Route the anti-microbial tubing to the beer/wine collection drain or waste container. It may be routed to the floor drain located in the right rear corner of the cabinet. It must then be plumbed to an external drain. There are also knockouts provided on the cabinet ends as other options for exiting the cabinet.

4. Wine dispensing kits also include a polyethylene waste bottle as an optional method to collect wine waste. The waste bottle holder is hung over the rim of a keg and the waste bottle is snapped into the holder.



5. Apply a bead of silicone around the perimeter of the drainer. This will provide a seal as well as hold it in position.

Running the Air Scoop Tubing to the Lucky or Panther Towers



1. You will need parts bag #67835 to attach the black corrugated air tubing to the air-cooled fitting on the Lucky or Panther towers.

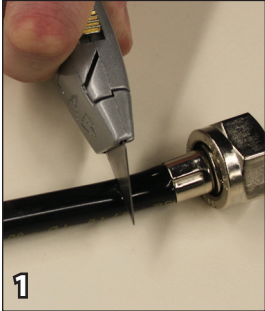
2. Insert the black corrugated air tubing into the 1-1/8" ID vinyl tubing and tighten with the hose clamp.

3. Attach the other end of the 1-1/8" vinyl tube to the air-cooled fitting on the Lucky or Panther tower and tighten with a hose clamp. **Refer to Diagram 6 in the Appendix.**

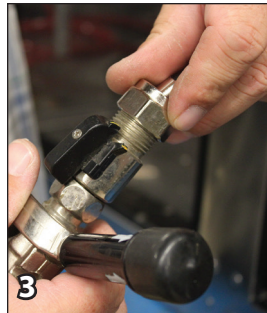
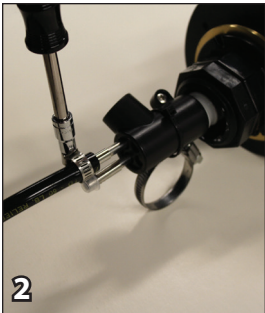


DISPENSING TOWERS
DRAFT ARMS, 2-6 FAUCET TEE TOWERS, LUCKY AND PANTHER TOWERS

LUCKY AND PANTHER TOWER INSTRUCTIONS, Continued
Attaching the Beer Line to the Lucky or Panther Towers

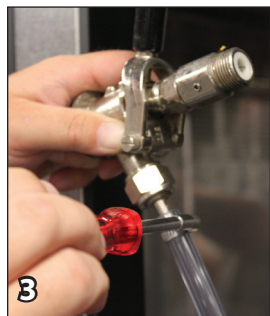


1. On one end of the beer connector, cut off the beer nut fitting.
2. Push the beer line connector end over the barbed end of the product supply line and tighten with a clamp using a 1/4" nut driver or slotted screwdriver.



3. Insert the rubber washer into the other end of the beer line and attach to the keg coupler. Tighten with an adjustable wrench but do not over-tighten.
4. Repeat for each additional supply tube.

Attaching the Gas Line Tubing



1. Attach one end of the gas line to a valve on the air distributor manifold and tighten with a hose clamp.
2. Repeat for each additional product line.
3. Attach the other end of the gas line to the keg coupler and tighten with a hose clamp.

Attaching the Tapping Hole Covers



1. To comply with NSF standards, please attach the tapping hole covers provided.
2. The two-piece cover can be adjusted to tighten snugly around beer lines and air scoop tubing.
3. Position the covers tightly around the tubing and mount to the bottom side of the cabinet top using a cordless drill with a 5/16" socket head bit and the self-drilling screws provided. Please refer to Diagram 7 in the Appendix.



DISPENSING TOWERS
DRAFT ARMS, 2-6 FAUCET TEE TOWERS, LUCKY AND PANTHER TOWERS

LUCKY AND PANTHER TOWER INSTRUCTIONS, Continued

Attaching the Air Distributor Cover



1. To comply with NSF standards, the air distributor cover should be installed. It can be easily removed to access the valves on the air distributor.
2. Each end of the cover has a knockout to provide clearance for the gas line. Remove the appropriate knockout.
3. Route the gas line through the side of the cover and hang the cover on the air distributor bracket.

Checking the System for Leaks

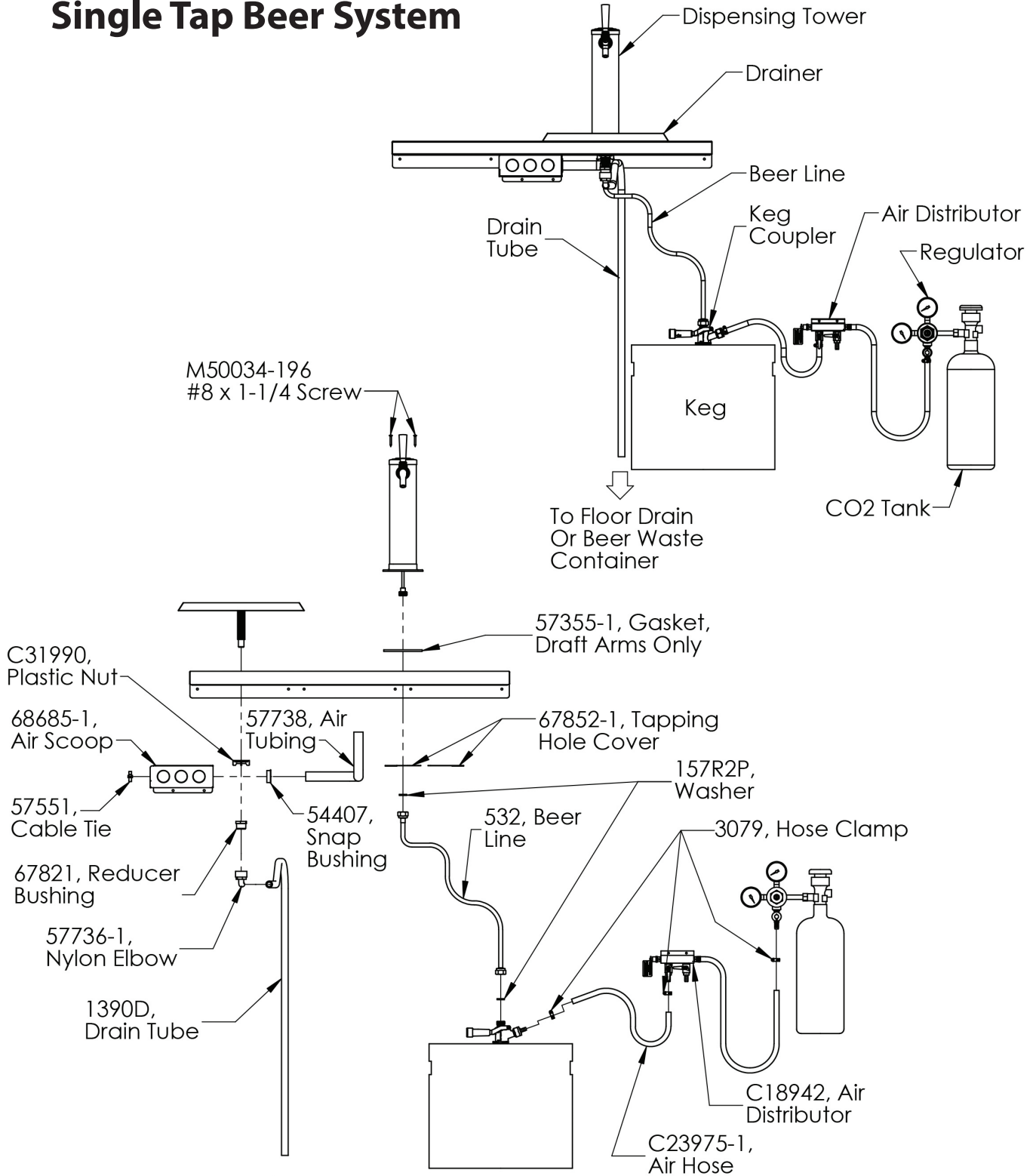
1. It is important to ensure the entire system is leak free.
2. The system can be checked by doing a pressure decay test or by tapping the system and inspecting for product leaks and checking for gas leaks with soap and bubbles. Repair any leaks immediately.



DISPENSING TOWERS
DRAFT ARMS, 2-6 FAUCET TEE TOWERS, LUCKY AND PANTHER TOWERS

APPENDIX - DIAGRAM 1

Single Tap Beer System

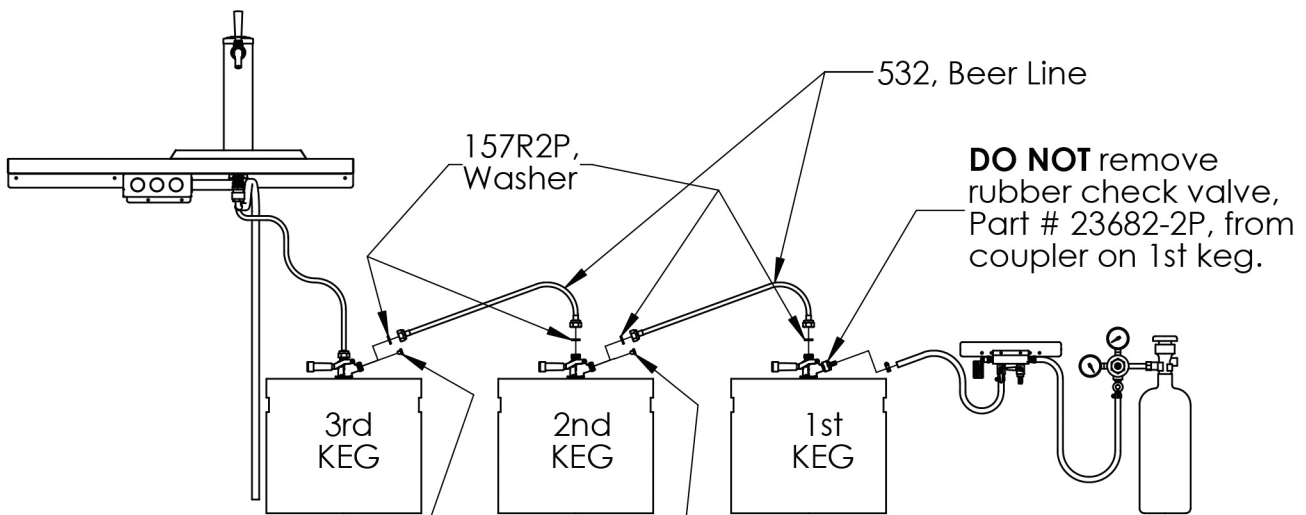
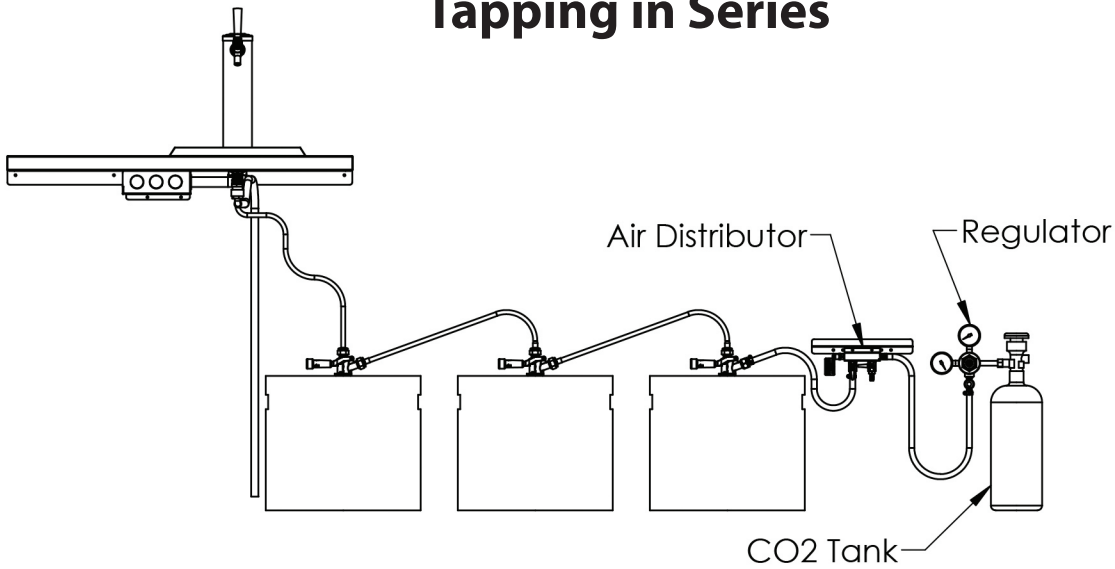




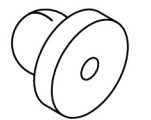
DISPENSING TOWERS
DRAFT ARMS, 2-6 FAUCET TEE TOWERS, LUCKY AND PANTHER TOWERS

APPENDIX - DIAGRAM 2

Tapping in Series



Remove rubber check valve, Part # 23682-2P, from coupler on 2nd & 3rd kegs before installing beer line, Part # 532.



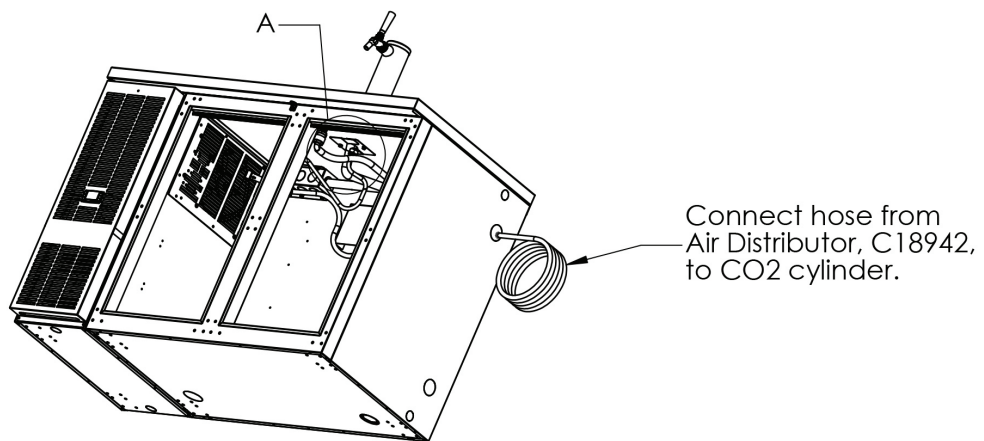
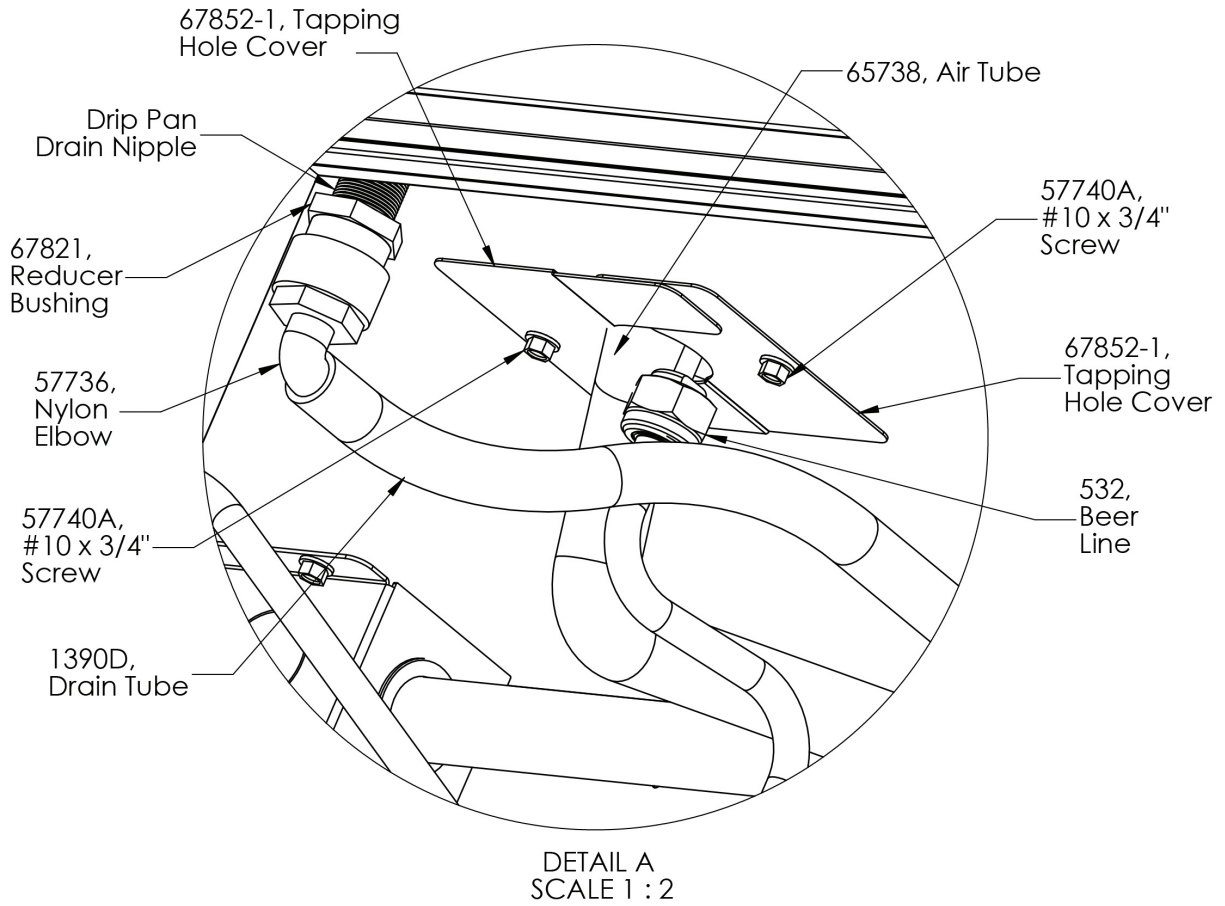
23682-2P



DISPENSING TOWERS
DRAFT ARMS, 2-6 FAUCET TEE TOWERS, LUCKY AND PANTHER TOWERS

APPENDIX - DIAGRAM 3

Drip Pan Drain Connection and Tapping Hole Cover Installation

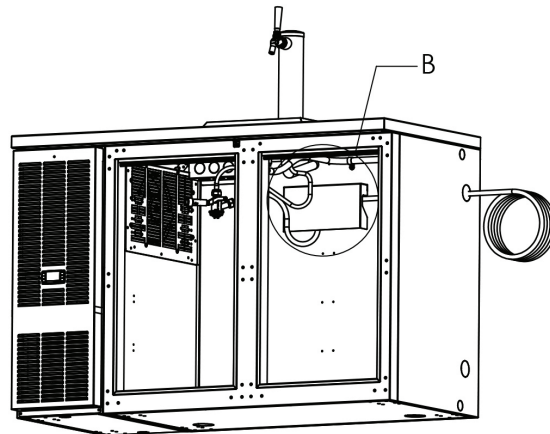
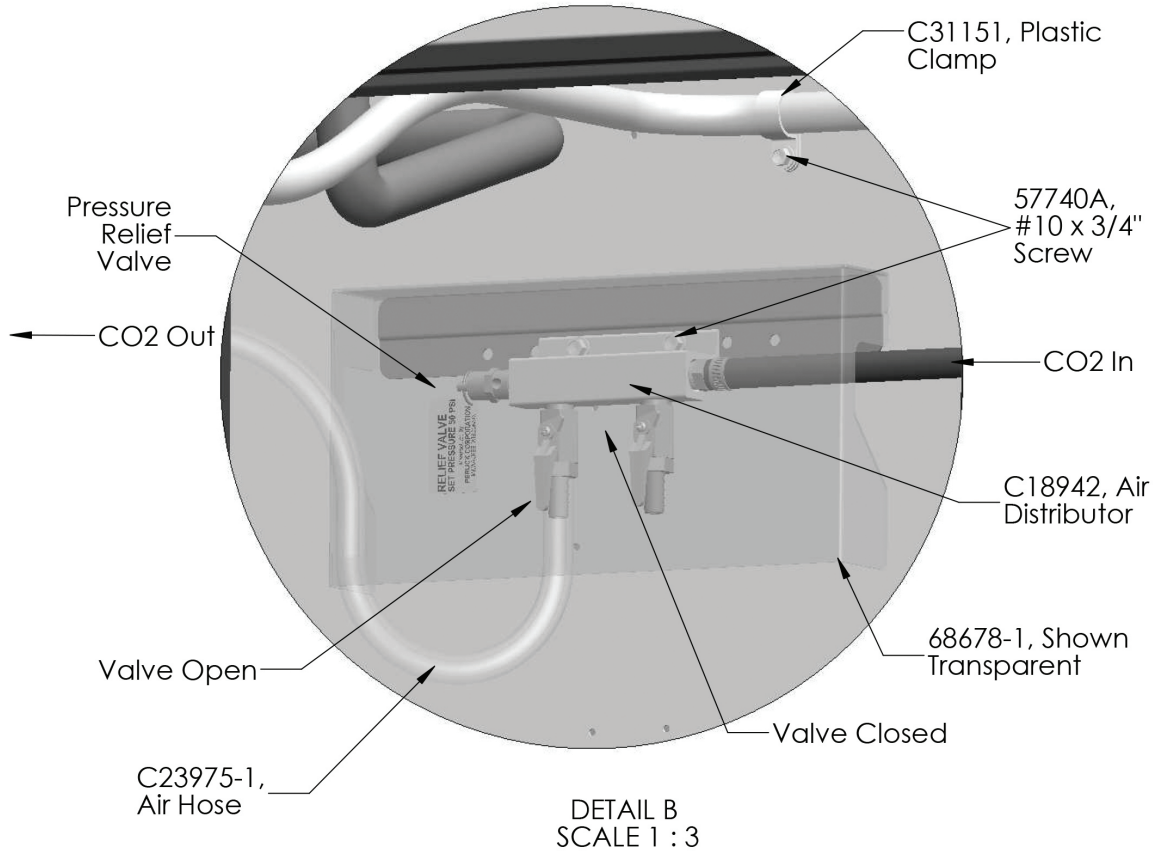




DISPENSING TOWERS
DRAFT ARMS, 2-6 FAUCET TEE TOWERS, LUCKY AND PANTHER TOWERS

APPENDIX - DIAGRAM 4

**Air Distributor Connections and
Excess Drip Pan Drain Tube Mounting**

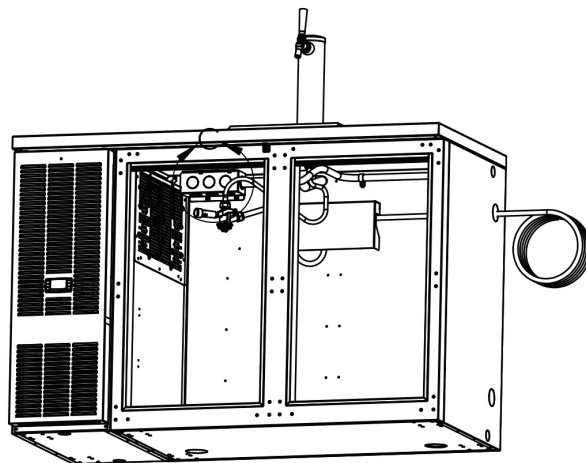
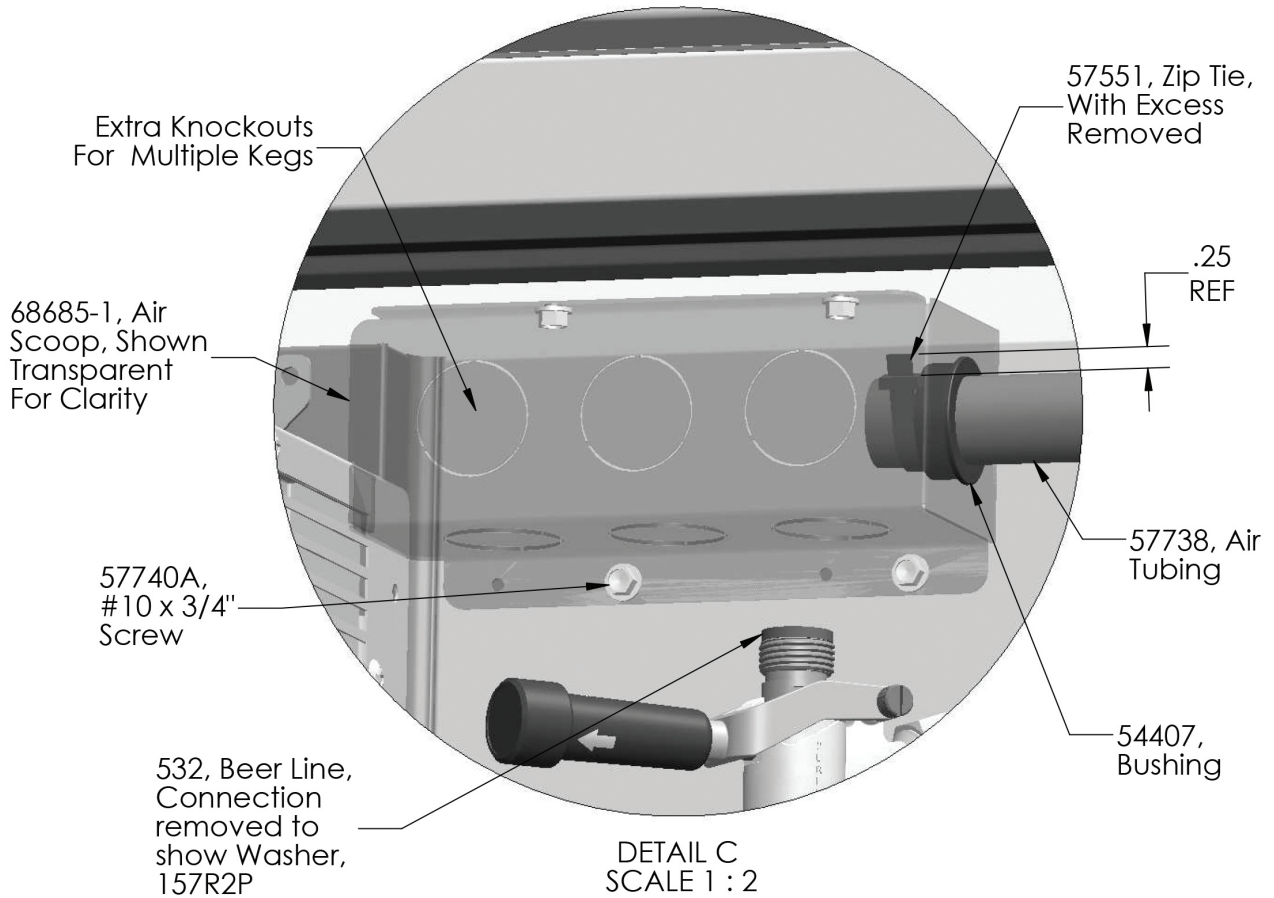




DISPENSING TOWERS
DRAFT ARMS, 2-6 FAUCET TEE TOWERS, LUCKY AND PANTHER TOWERS

APPENDIX - DIAGRAM 5

Air Scoop Installation

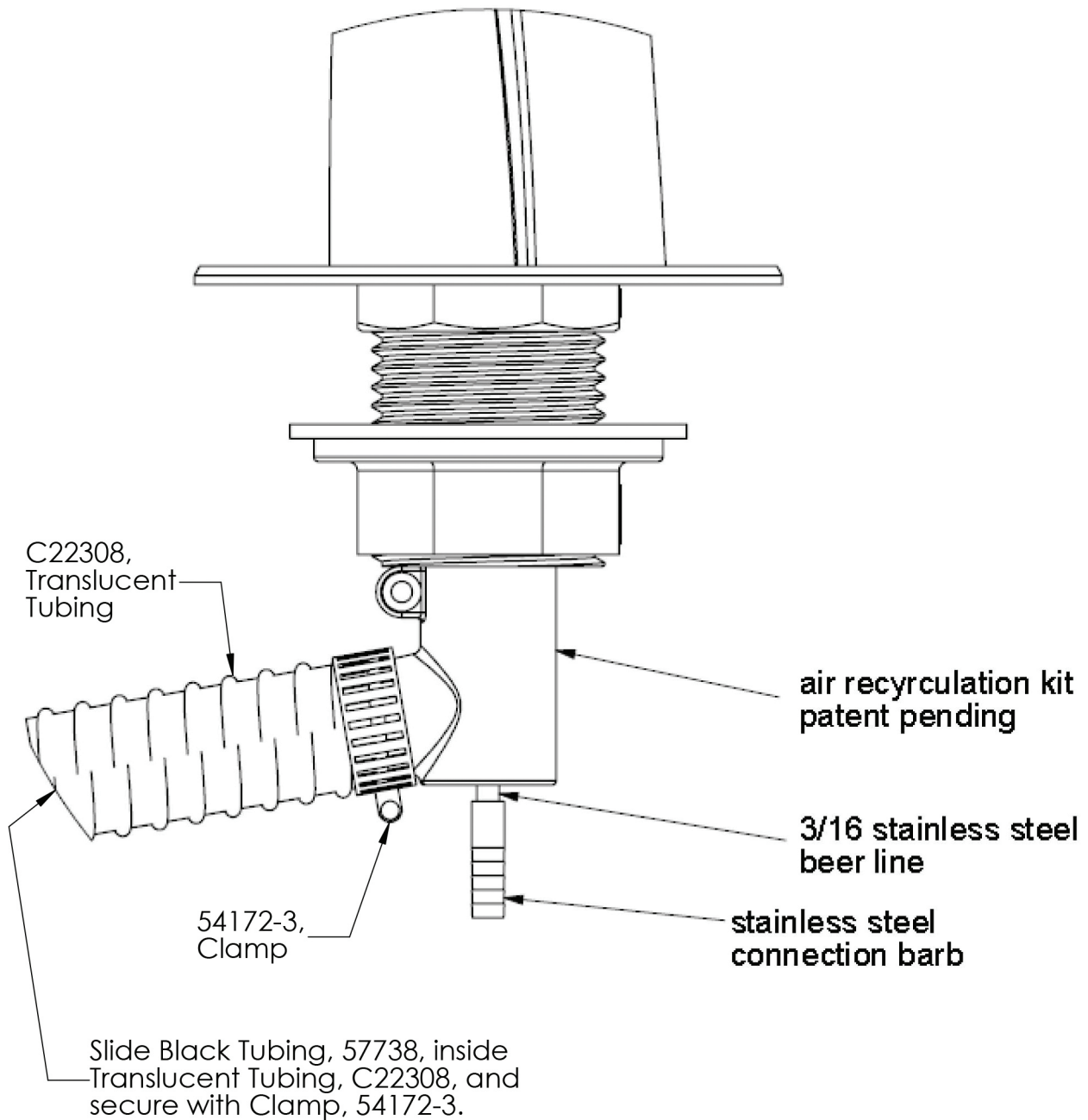




DISPENSING TOWERS
DRAFT ARMS, 2-6 FAUCET TEE TOWERS, LUCKY AND PANTHER TOWERS

APPENDIX - DIAGRAM 6

Air Sleeve Installation through Countertop and Back Bar Cabinet

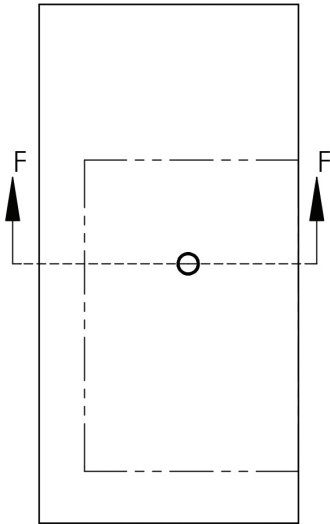




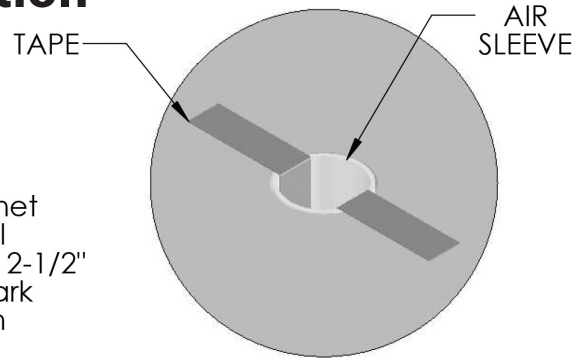
DISPENSING TOWERS
DRAFT ARMS, 2-6 FAUCET TEE TOWERS, LUCKY AND PANTHER TOWERS

APPENDIX - DIAGRAM 7

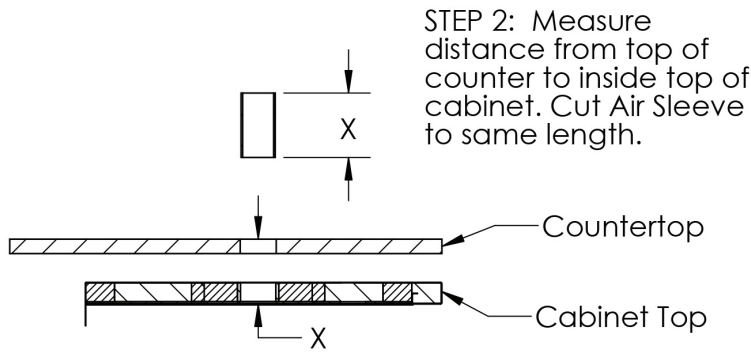
Air Connection



STEP 1: Position cabinet under counter in final position. Use existing 2-1/2" hole in counter to mark and drill 2-1/2" hole in cabinet top.

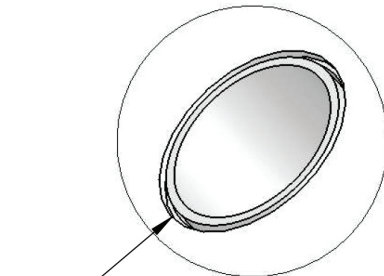


STEP 3: With Air Sleeve flush with top of counter temporarily hold in place with tape.

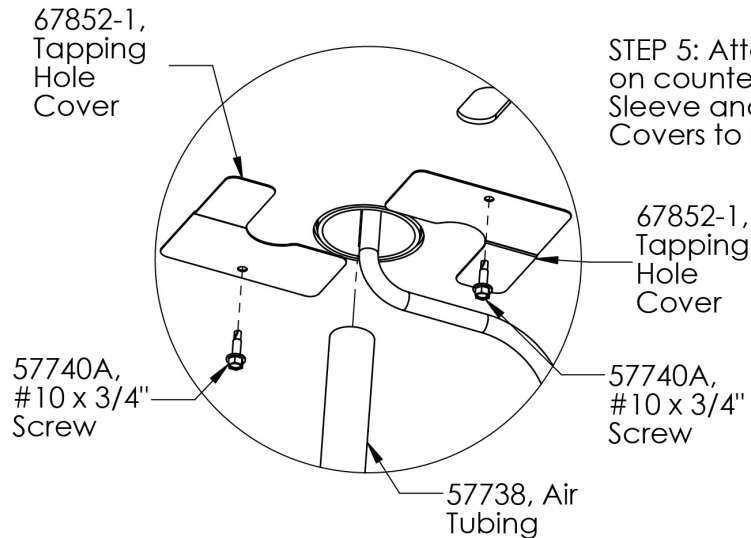


STEP 2: Measure distance from top of counter to inside top of cabinet. Cut Air Sleeve to same length.

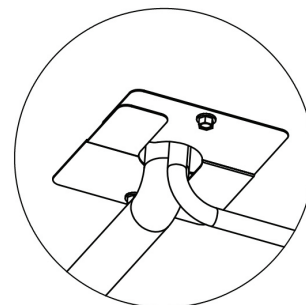
SECTION F-F
 SCALE 1 : 12



STEP 4: Apply silicone inside the cabinet between the air sleeve and the inside top of cabinet.



STEP 5: Attach Beer Line to Draft Arm and install on countertop. Insert Air Tube through Air Sleeve and into Draft Arm. Install the 2 Hole Covers to seal off hole using #10 x 3/4" Screws.



67852-1, Tapping Hole Cover

67852-1, Tapping Hole Cover

57740A, #10 x 3/4" Screw

57740A, #10 x 3/4" Screw

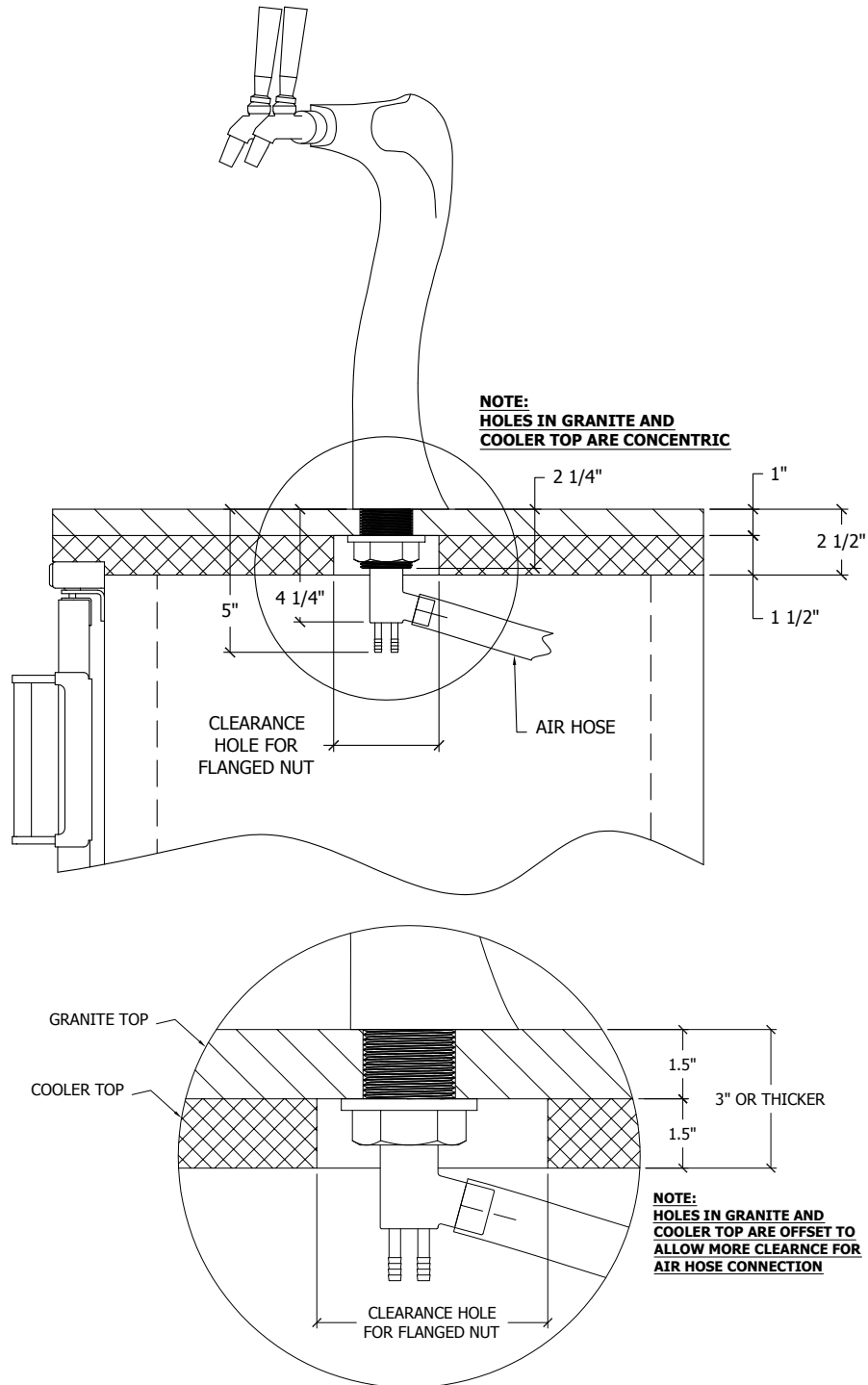
57738, Air Tubing



DISPENSING TOWERS
DRAFT ARMS, 2-6 FAUCET TEE TOWERS, LUCKY AND PANTHER TOWERS

APPENDIX - DIAGRAM 8

**Lucky and Panther Tower
Mounting Reference**





Form No. Z2351
Rev. 11.2.22