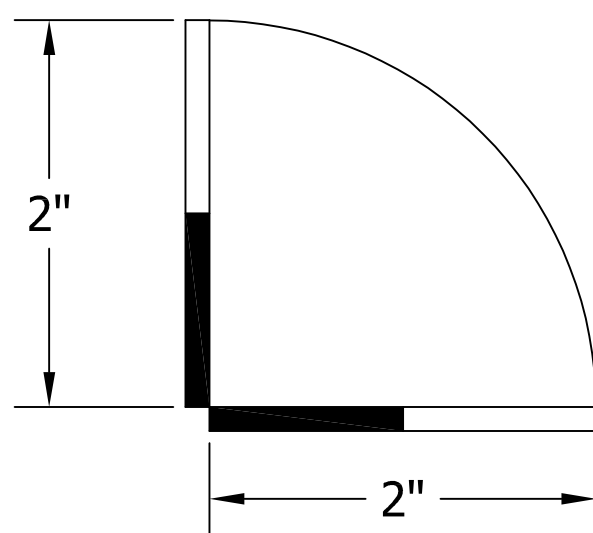
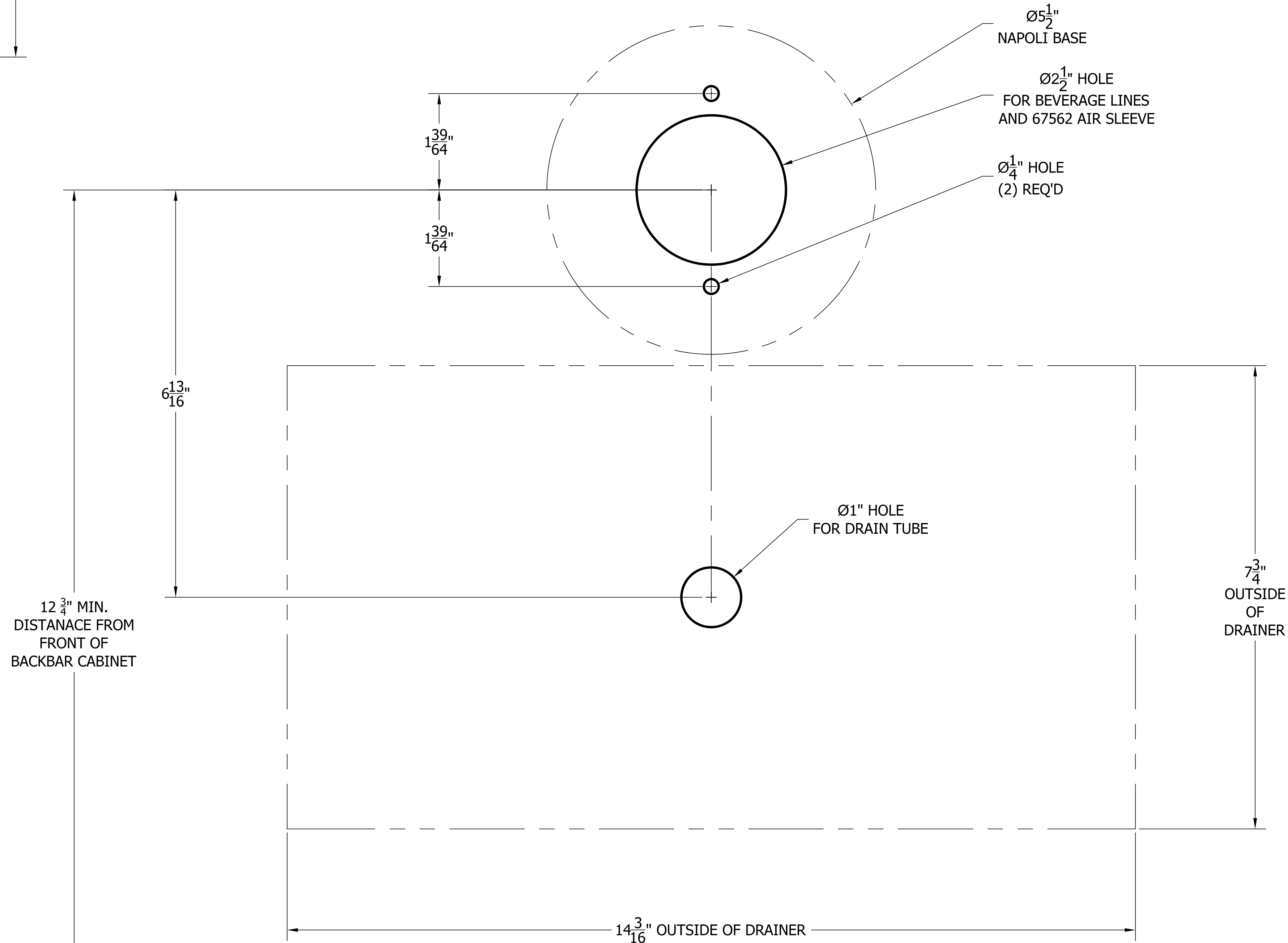
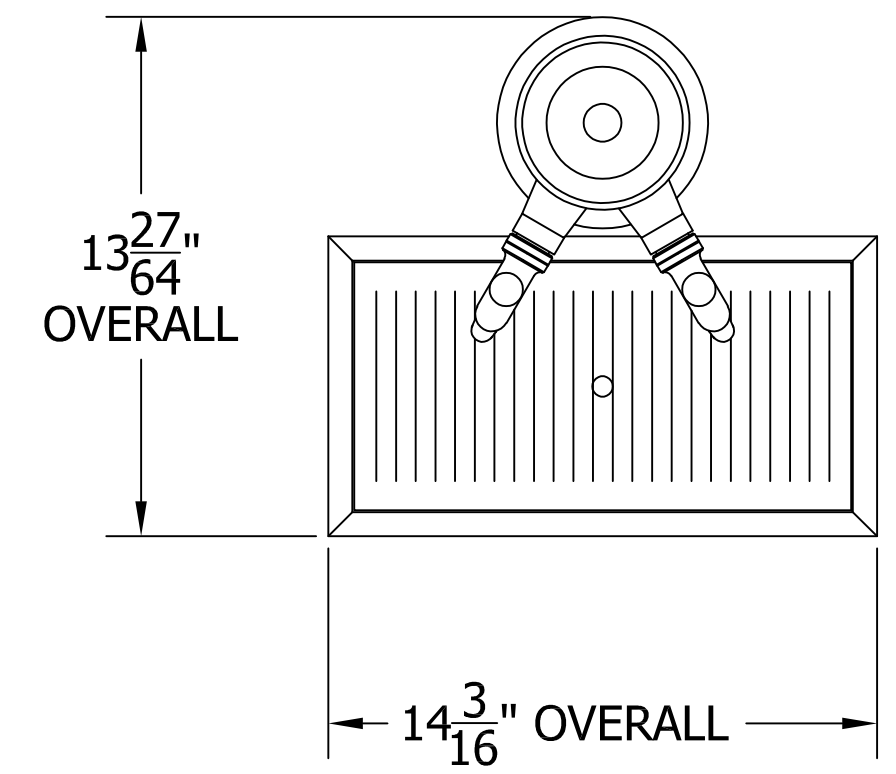
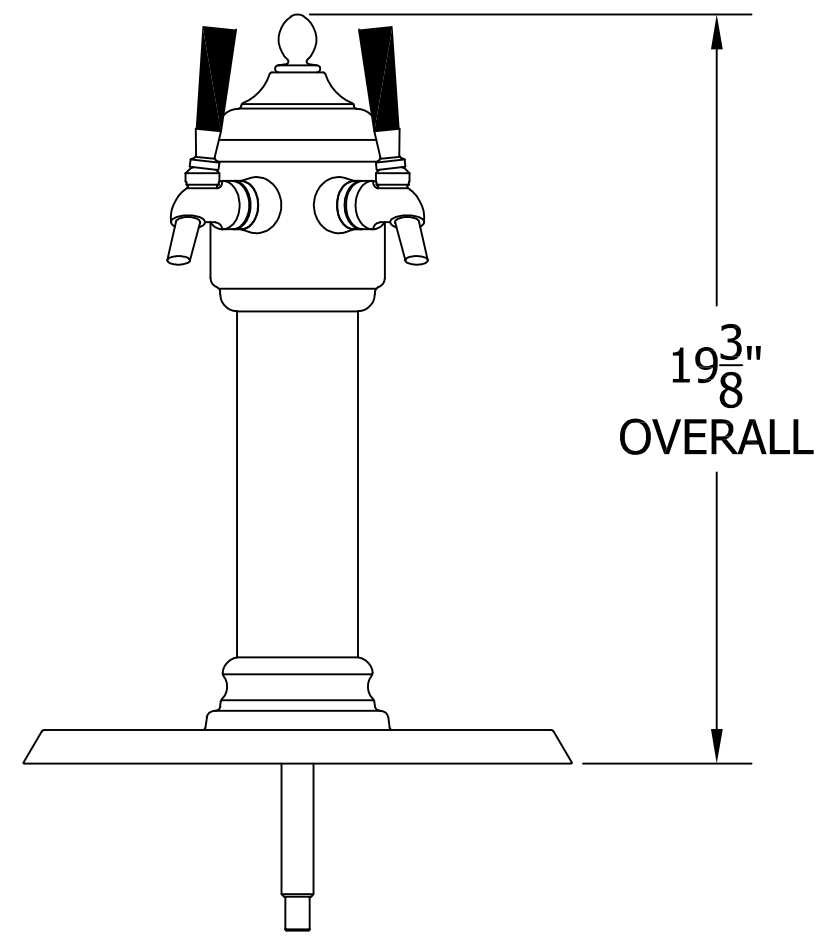


MOUNTING TEMPLATE FOR NAPOLI DISPENSING KITS: 69526-2N(TF) & C18640A DRAINER



ATTENTION INSTALLERS
VERIFY SCALE OF PRINT
BY CHECKING THESE DIMENSIONS
PRIOR TO INSTALLATION OF BEER HEAD
(EACH SIDE SHOULD MEASURE
EXACTLY 2.00 INCHES)