

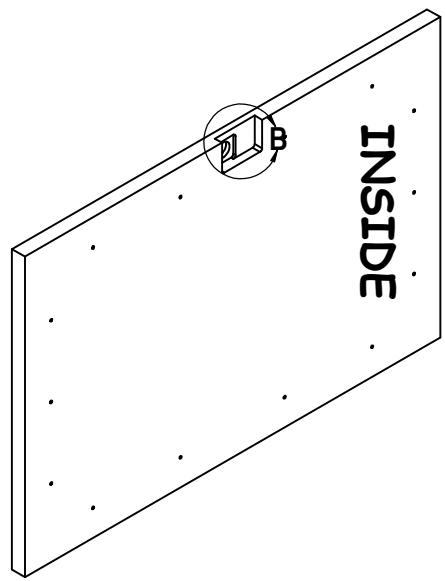
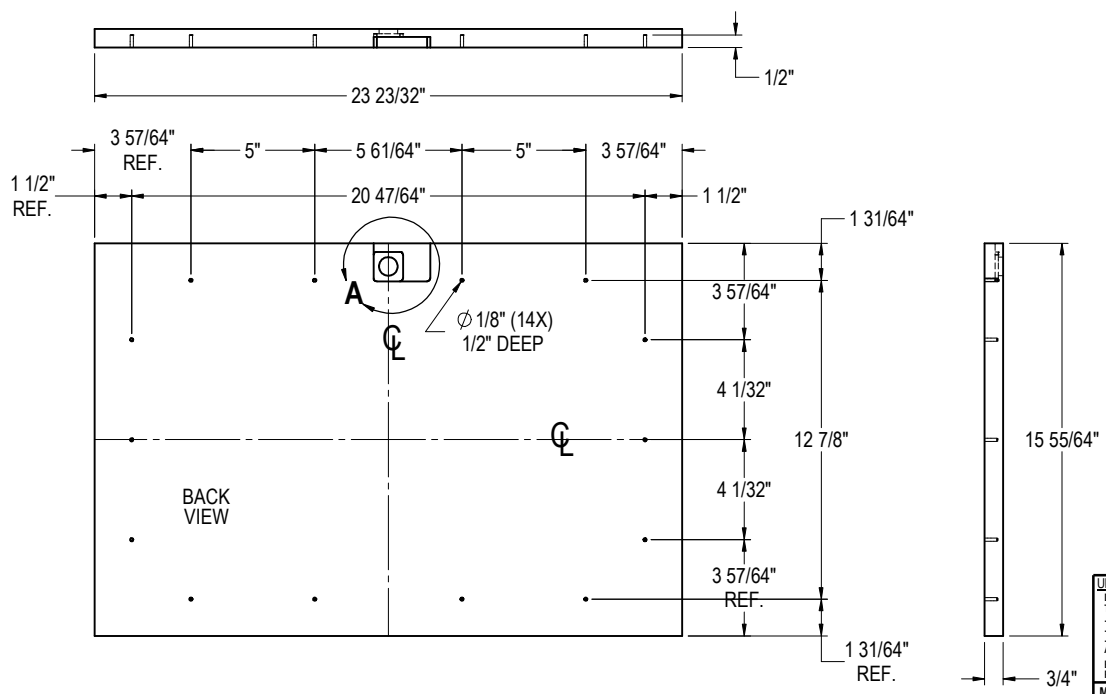
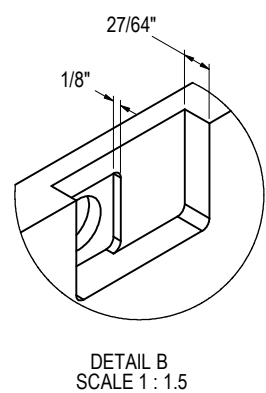
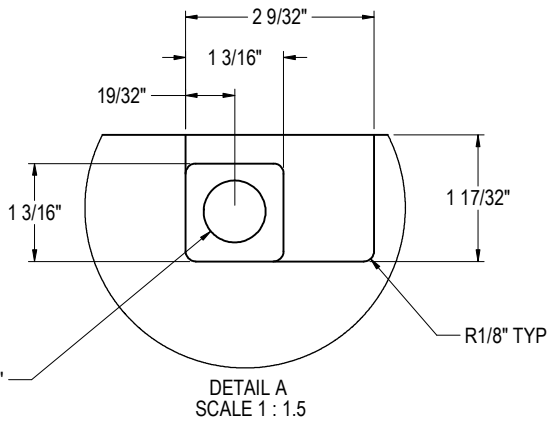
THIS FEATURE ONLY REQUIRED ON UPPER DRAWERS WITH LOCKS.

NOTE: VALID FOR ANY ORDERS ENTER ON OR AFTER JAN. 1, 2016

RELEASE FOR PRODUCTION		
A	11/10/2015	JMP
REVISIONS		

MATERIAL: WOOD	SIGNATURES	DATE	Perlick Corporation Milwaukee, Wisconsin	
	DESIGNED JMP	11/10/2015		
QTY.:	DRAWN JMP	11/10/2015	TITLE: SOLID WOOD OVERLAY STD. DRAWERS, BACK BAR	
	FINISH:	REFERENCE:		
UNLESS OTHERWISE SPECIFIED: DIMENSIONS ARE IN INCHES TOLERANCES: XX = ±.05, XX = ±.01, XXX = ±.005 ANGULAR ±5°, FRACTIONS ±1/64 BREAK SHARP EDGES - .015 X 45° RADIUS SHARP FILLETS - .015 TO .031 HOLES: ϕ .015 THRU ϕ .125 ±.004 ϕ .126 THRU ϕ .250 ±.005 ϕ .251 THRU ϕ .500 ±.006 ϕ .501 THRU ϕ .750 ±.008 ϕ .751 THRU ϕ 1.000 ±.010 ϕ 1.001 & UP ±.012			PART NO. 68134A-9	DWG NO. 68134A
			PURCHASE REC.:	SCALE = 1:5
			SHEET 9 OF 17	

THIS DOCUMENT / PUBLICATION / SOFTWARE / DRAWING CONTAINS PROPRIETARY INFORMATION WHICH IS THE PROPERTY OF THE PERLICK CORPORATION. IT MAY NOT BE REPRODUCED OR TRANSMITTED IN ANY FORM, ELECTRONIC OR MECHANICAL, INCLUDING PHOTOCOPYING, RECORDING, OR USED IN ANY INFORMATION STORAGE, TRANSMISSION, OR RETRIEVAL SYSTEM, WITHOUT WRITTEN PERMISSION FROM THE PERLICK CORPORATION. COPYRIGHT 2001 PERLICK CORPORATION. ALL RIGHTS RESERVED.



**NOTE: VALID FOR ANY ORDERS
ENTER ON OR AFTER JAN. 1, 2016**

RELEASE FOR PRODUCTION		
A	11/10/2015	JMP
REVISIONS		

UNLESS OTHERWISE SPECIFIED: DIMENSIONS ARE IN INCHES TOLERANCES: XX = ±.05, XX = ±.01, XXX = ±.005, ANGULAR: ±.5°, FRACTIONS: ±1/64 BREAK SHARP EDGES - 015 X 45° RADIUS SHARP FILLETS - .015 TO .031		SIGNATURES	DATE	Perlick Corporation Milwaukee, Wisconsin	
DESIGNED JMP		11/10/2015		TITLE: SOLID WOOD OVERLAY STD. DRAWERS W/LOCK, BACK BAR	
DRAWN JMP		11/10/2015		REFERENCE: PART NO. 68134A-9L	
CHECKED		11/10/2015		DWG NO. 68134A	
MATERIAL: WOOD		QTY.:		PURCHASE REC.:	
		FINISH:		SCALE = 1:5	
				SHEET 10 OF 17	