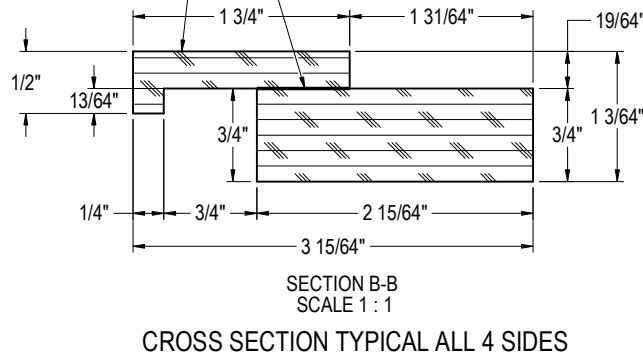
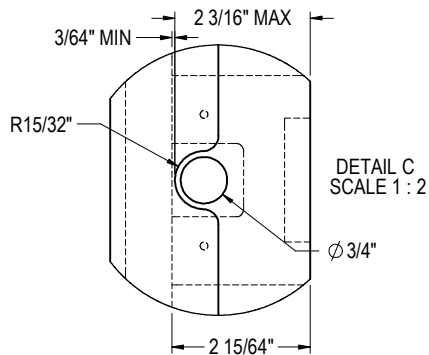


NOTE: THE 1/2" X 1-3/4" SECTION CAN BE ADDED AS SEPARATE MITERED PIECES.

OPTIONAL GLUE JOINT FOR MULTIPLE PIECE CONSTRUCTION.



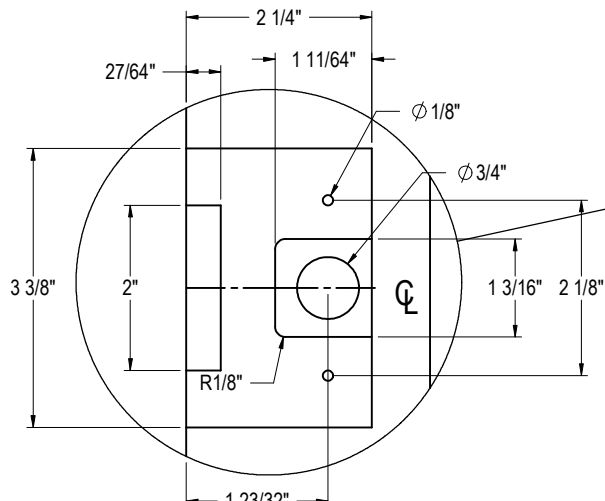
BACK VIEW

NOTE: VALID FOR ANY ORDERS
ENTER ON OR AFTER JAN. 1, 2016

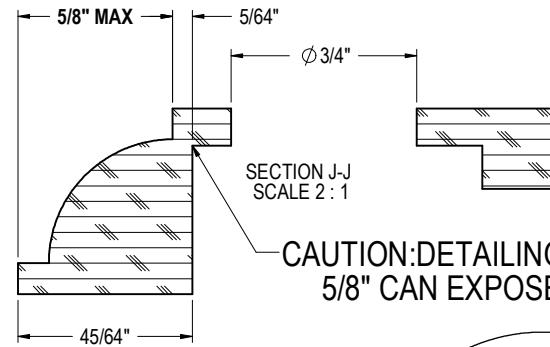
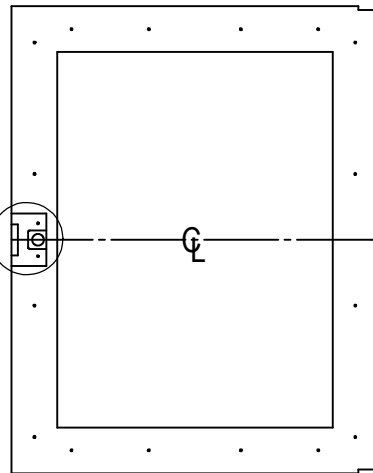
RELEASE FOR PRODUCTION		
A	11/10/2015	JMP
REVISIONS		

MATERIAL: WOOD	DESIGNED	JMP	11/10/2015	Perlick Corporation Milwaukee, Wisconsin
	DRAWN	JMP	11/10/2015	
QTY.:	UNLESS OTHERWISE SPECIFIED: DIMENSIONS ARE IN INCHES			TITLE: GLASS DOOR WOOD OVERLAY LOW HEIGHT BACK BAR
	TOLERANCES: X ± .1, XX ± .03, XXX ± .015 ANGULAR ± 15°, FRACTIONS ± 1/64 BREAK SHARP EDGES - .015 X 45° RADIUS SHARP FILLETS - .015 TO .031 HOLES: Ø .015 THRU Ø .125 ± .004 Ø .126 THRU Ø .250 ± .005 Ø .251 THRU Ø .500 ± .006 Ø .501 THRU Ø .750 ± .008 Ø .751 THRU Ø 1.000 ± .010 Ø 1.001 & UP ± .012			
FINISH: CUSTOM	REFERENCE:		PART NO. 68135A-8	DWG NO. 68135A
PURCHASE REC.:			SCALE = 1:8	SHEET 8 OF 9

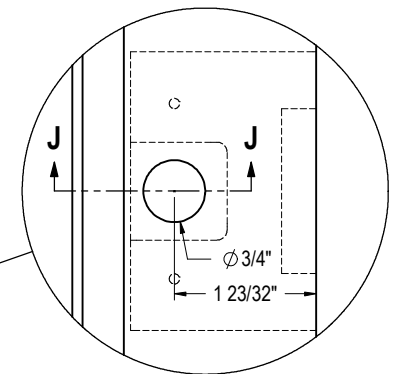
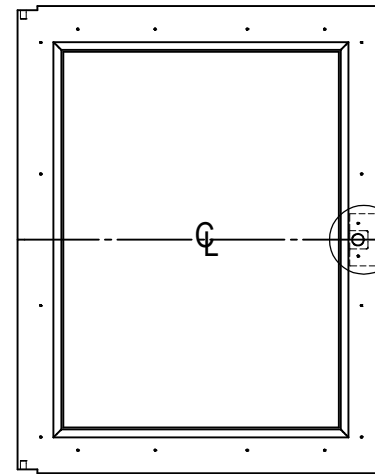
THIS DOCUMENT / PUBLICATION / SOFTWARE / DRAWING CONTAINS PROPRIETARY INFORMATION WHICH IS THE PROPERTY OF THE PERLICK CORPORATION. IT MAY NOT BE REPRODUCED OR TRANSMITTED IN ANY FORM, ELECTRONIC OR MECHANICAL, INCLUDING PHOTOCOPYING, RECORDING, OR USED IN ANY INFORMATION STORAGE, TRANSMISSION, OR RETRIEVAL SYSTEM, WITHOUT WRITTEN PERMISSION FROM THE PERLICK CORPORATION. COPYRIGHT 2001 PERLICK CORPORATION. ALL RIGHTS RESERVED.



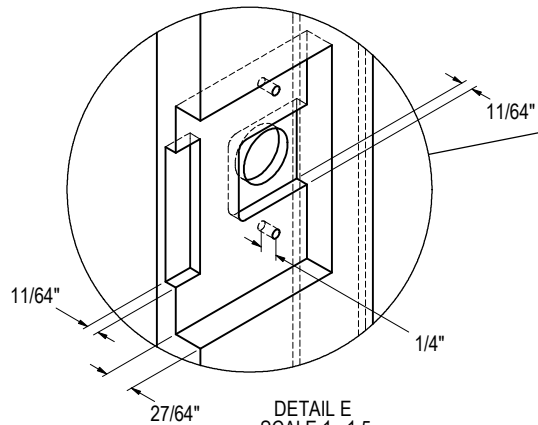
DETAIL C
SCALE 1 : 1.5



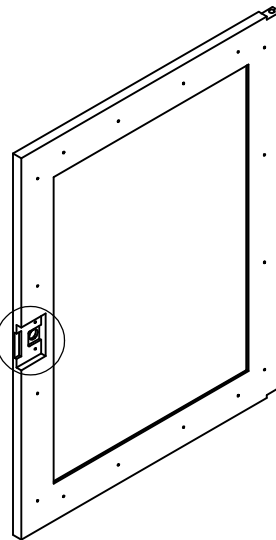
CAUTION:DETAILING EXCEEDING
5/8" CAN EXPOSE LOCK HOLE.



DETAIL H
SCALE 1 : 1.5



DETAIL E
SCALE 1 : 1.5



**NOTE: VALID FOR ANY ORDERS
ENTER ON OR AFTER JAN. 1, 2016**

RELEASE FOR PRODUCTION		
A	11/10/2015	JMP
REVISIONS		

MATERIAL: WOOD - CUSTOMER DISCRETION	SIGNATURES	DATE	Perlick Corporation Milwaukee, Wisconsin
	DESIGNED JMP	11/10/2015	
QTY.:	DRAWN JMP	11/10/2015	TITLE: WOOD OVERLAY, GLASS DOOR HP, HC, & BACK BAR DOORS w/LOCKS
	FINISH: CUSTOM	REFERENCE:	
UNLESS OTHERWISE SPECIFIED: DIMENSIONS ARE IN INCHES TOLERANCES: XX ± .1, .XX ± .03, .XXX ± .015 ANGULAR ± 15°, FRACTIONS ± 1/64 BREAK SHARP EDGES - .015 X 45° RADIUS SHARP FILLETS - .015 TO .031 HOLES: Ø .015 THRU Ø .125 ± .004 Ø .126 THRU Ø .250 ± .005 Ø .251 THRU Ø .500 ± .006 Ø .501 THRU Ø .750 ± .008 Ø .751 THRU Ø 1.000 ± .010 Ø 1.001 & UP ± .012		PART NO.	DWG NO. 68135A
		PURCHASE REC.:	SCALE = 1:8 SHEET 9 OF 9

THIS DOCUMENT / PUBLICATION / SOFTWARE / DRAWING CONTAINS PROPRIETARY INFORMATION WHICH IS THE PROPERTY OF THE PERLICK CORPORATION. IT MAY NOT BE REPRODUCED OR TRANSMITTED IN ANY FORM, ELECTRONIC OR MECHANICAL, INCLUDING PHOTOCOPYING, RECORDING, OR USED IN ANY INFORMATION STORAGE, TRANSMISSION, OR RETRIEVAL SYSTEM, WITHOUT WRITTEN PERMISSION FROM THE PERLICK CORPORATION. COPYRIGHT 2001 PERLICK CORPORATION. ALL RIGHTS RESERVED.