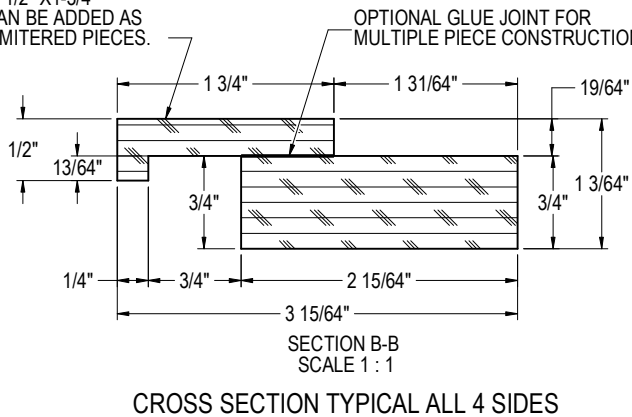
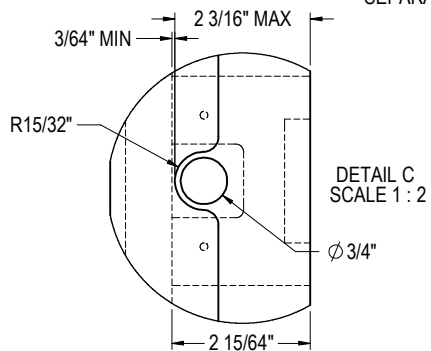


NOTE: THE 1/2" X 1-3/4" SECTION CAN BE ADDED AS SEPARATE MITERED PIECES.

OPTIONAL GLUE JOINT FOR MULTIPLE PIECE CONSTRUCTION.

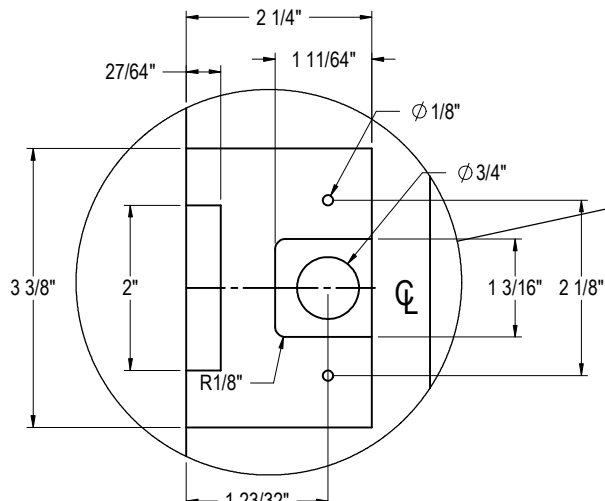


CROSS SECTION TYPICAL ALL 4 SIDES

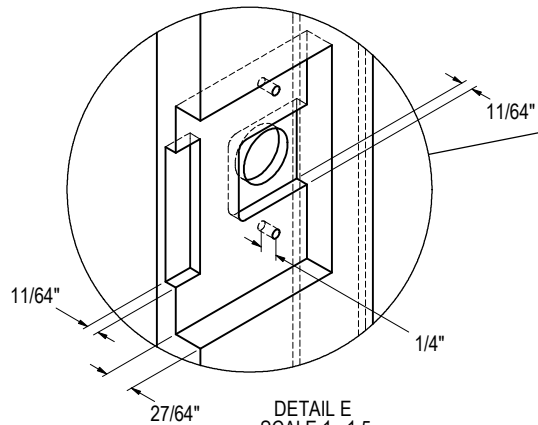
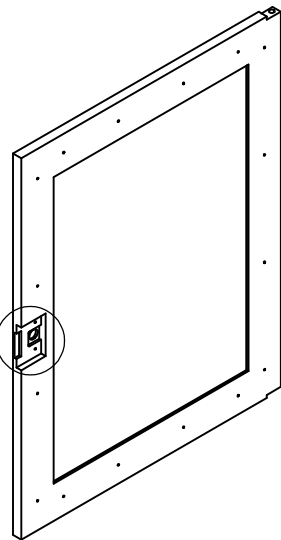
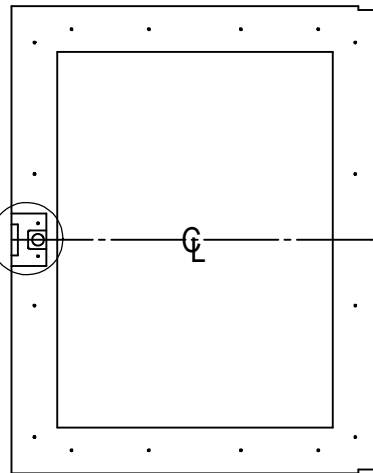
**NOTE: VALID FOR ANY ORDERS
ENTER ON OR AFTER JAN. 1, 2016**

RELEASE FOR PRODUCTION
A 11/10/2015 JMP
REVISIONS

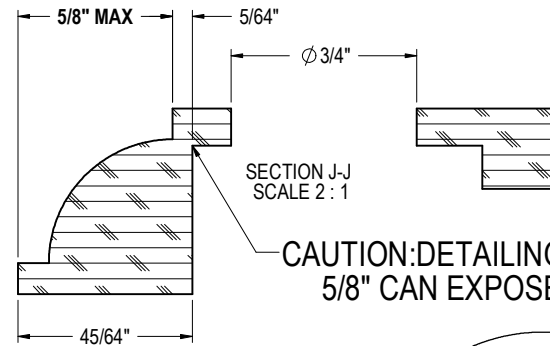
MATERIAL: WOOD	DESIGNED	JMP	DATE	11/10/2015
	DRAWN	JMP	DATE	11/10/2015
QTY.:	UNLESS OTHERWISE SPECIFIED: DIMENSIONS ARE IN INCHES			
	TOLERANCES: X ± .1, XX ± .03, XXX ± .015 ANGULAR: ± 15°, FRACTIONS: ± 1/64			
FINISH: CUSTOM	BREAK SHARP EDGES - .015 X 45° RADIUS SHARP FILLETS - .015 TO .031			
	HOLES: Ø .0135 THRU Ø .125: ± .004 Ø .1280 THRU Ø .250: ± .005 Ø .2510 THRU Ø .500: ± .006 Ø .5010 THRU Ø .750: ± .008 Ø .7510 THRU Ø 1.000: ± .010 Ø 1.001 & UP: ± .012			
TITLE:		Perlick Corporation Milwaukee, Wisconsin		
REFERENCE:		GLASS DOOR WOOD OVERLAY 20" DOOR, BACK BAR		
PART NO.	68135A-2	DWG NO.	68135A	
PURCHASE REC.:	SCALE = 1:8		SHEET 2 OF 9	



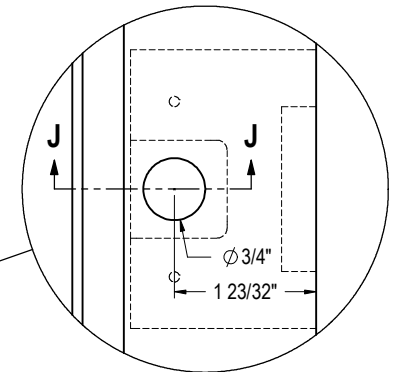
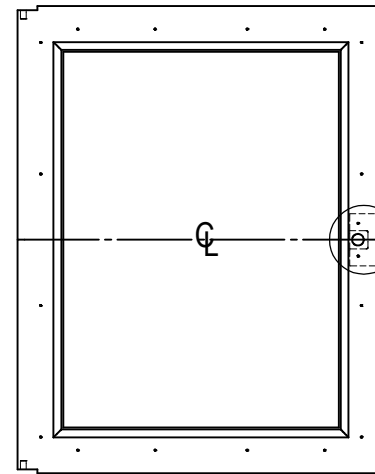
DETAIL C
SCALE 1 : 1.5



DETAIL E
SCALE 1 : 1.5



CAUTION:DETAILING EXCEEDING
5/8" CAN EXPOSE LOCK HOLE.



DETAIL H
SCALE 1 : 1.5

**NOTE: VALID FOR ANY ORDERS
ENTER ON OR AFTER JAN. 1, 2016**

RELEASE FOR PRODUCTION

A 11/10/2015 JMP
REVISIONS

MATERIAL: WOOD - CUSTOMER DISCRETION	SIGNATURES	DATE	Perlick Corporation Milwaukee, Wisconsin
	DESIGNED JMP	11/10/2015	
QTY.:	DRAWN JMP	11/10/2015	TITLE: WOOD OVERLAY, GLASS DOOR HP, HC, & BACK BAR DOORS w/LOCKS
	FINISH: CUSTOM		REFERENCE: PART NO. DWG NO. 68135A
	PURCHASE REC.:		SCALE = 1:8 SHEET 9 OF 9

THIS DOCUMENT / PUBLICATION / SOFTWARE / DRAWING CONTAINS PROPRIETARY INFORMATION WHICH IS THE PROPERTY OF THE PERLICK CORPORATION. IT MAY NOT BE REPRODUCED OR TRANSMITTED IN ANY FORM, ELECTRONIC OR MECHANICAL, INCLUDING PHOTOCOPYING, RECORDING, OR USED IN ANY INFORMATION STORAGE, TRANSMISSION, OR RETRIEVAL SYSTEM, WITHOUT WRITTEN PERMISSION FROM THE PERLICK CORPORATION. COPYRIGHT 2001 PERLICK CORPORATION. ALL RIGHTS RESERVED.