



**48" FLAT TOP BOTTLE COOLER**



**BC48RT-BS-STK**

JOB
AREA
ITEM NO.
MODEL NO.

<b>MODELS</b>
BC48RT-BS-STK

**KEY PRODUCT FEATURES AND BENEFITS**

- Heavy duty construction – stainless steel interior and top
- 2" Foamed-in-place insulation provides energy savings using Ecomate(tm), a blowing agent that has zero-ozone depletion and zero global warming potential
- Heavy gauge dent resistant doors with door locks standard
- LED Lights standard, E26 screw in bulb base for easy replacement
- Ultra quiet, high efficiency, refrigeration system

**Quick Features**

- Plug-in installation, no condensate plumbing required
- Available with optional bottle opener and cap receiver
- 1 Year Parts and Labor Warranty, 5 Year Compressor Warranty



## 48" FLAT TOP BOTTLE COOLER

MODEL NUMBERS		BC48RT-BS-STK
EXTERIOR CABINET DIMENSIONS	Length - in. (mm)	48 (1219)
	Depth - in. (mm)	24 (610)
	Height - in. (mm)	34-1/8 (866)
INTERNAL NET VOLUME - cubic ft. (liters)		12.5 (353)
CASE CAPACITY (12 bottles)		17.2
CASE CAPACITY (12 cans)		25
SHIPPING WEIGHT Lbs. (kg.)		300 (136)
CABINET CONSTRUCTION (INTERIOR)		All models have stainless steel walls and floor.
CABINET CONSTRUCTION (EXTERIOR)		Black Option: Front and ends are black vinyl coated steel, back and bottom are galvanized.
DOORS AND HARDWARE		Sliding style open with standard locks. Stainless steel top and bottom pans. Die cast handle
PLUMBING		No drain required. Condensate evaporates automatically.
INSULATION		2" Foamed-in-place insulation provides energy savings using Ecomate(tm), a blowing agent that has zero-ozone depletion and zero global warming potential.
VENTILATION		2' model is front vented, all other models require 2" clearance from wall on either left end or back of cabinet for proper air flow.
TEMPERATURE SPECIFICATIONS	Default Temperature Setpoint: Standard Temp (RT) Models - °F [°C]	38 [3.3]
	Adjustable Setpoint Range: Standard Temp (RT) Models - °F [°C]	34 - 40 [1.1 - 4.4]
	Default Temperature Setpoint: Low Temp (LT) Models - °F [°C]	30 [-1.1]
	Adjustable Setpoint Range: Low Temp (LT) Models - °F [°C]	28 - 34 [-2.2 - 1.1]
	Default Temperature Setpoint: Wine Temp (WT) Models - °F [°C]	50 [10.0]
	Adjustable Setpoint Range: Wine Temp (WT) Models - °F [°C]	45 - 60 [7.2 - 15.6]
ELECTRICAL SPECIFICATIONS	Supply	120 VAC/60 Hz/1 Ph
	Running Load Amps	3.1
	Power Cord	6-foot length with NEMA 5-15 plug.
	Thermostat	NSF Listed electronic control.
	Defrost Type	Automatic electric defrost (Low Temp models only).
	Lighting Type	LED (136 Lumens, 5500K)
REFRIGERATION SPECIFICATIONS	Condensing Unit	Hermetic condensing unit pulls out for service and cleaning.
	Expansion Device	Capillary Tube
	Refrigerant	R290
	Refrigerant Charge (g)	120
	Compressor H.P.	1/5
	Total Heat of Rejection At 75°F ambient (BTU/h)	1920
OPTIONAL ACCESSORIES		Floor racks • Casters • Bottle opener and receiver • Bin dividers Speed rails • Adjustable legs • Roller basket shelving

\* NOTE: This equipment is intended for the storage and display of non-potentially hazardous bottled or canned products only!

**! WARNING: California Prop 65 Notice**

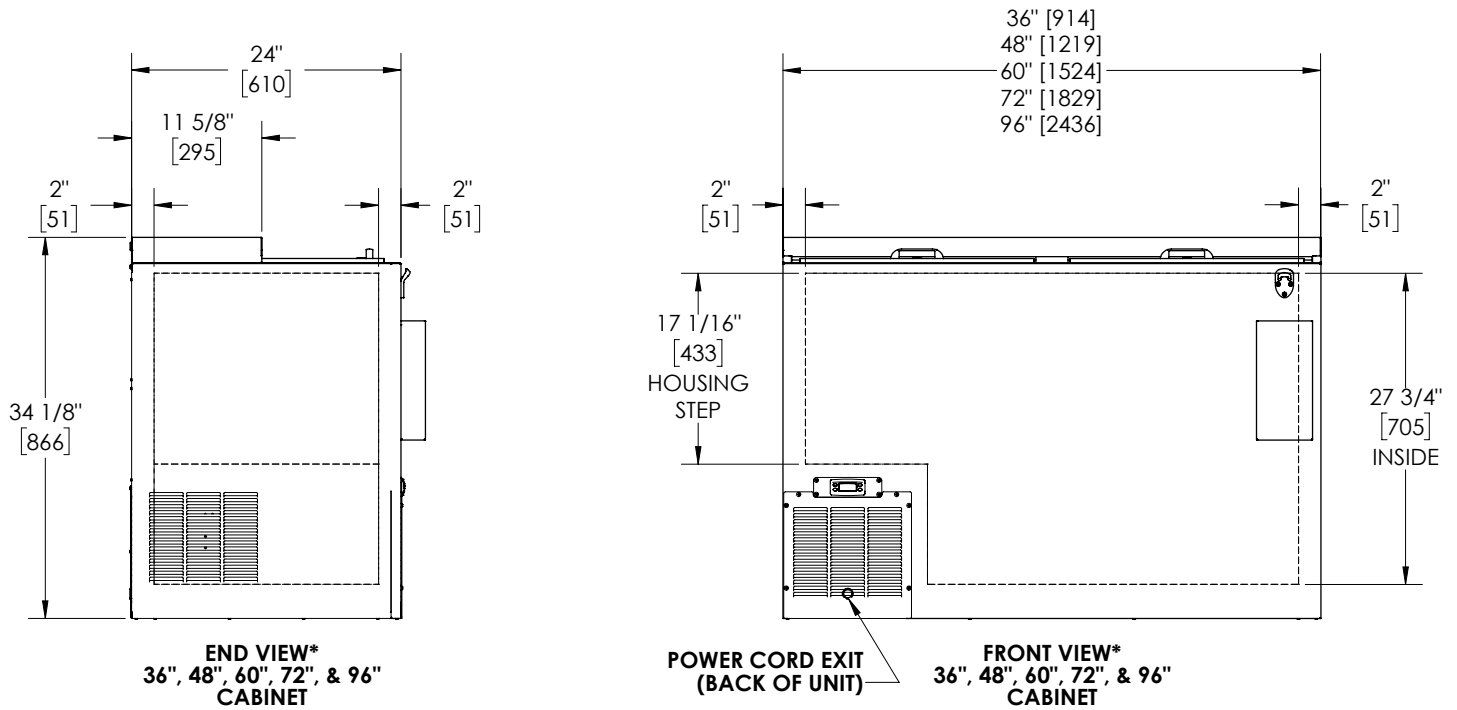
These products may expose you to chemicals including Chromium, which are known to the state of California to cause cancer and birth defects or other reproductive harm. For more information on whether a product in this list contains these chemicals, please refer to the specific product page at [perlick.com](http://perlick.com). Or to find out more about Prop 65, go to [P65Warnings.ca.gov](http://P65Warnings.ca.gov).

Form No. Z2913  
Rev. 06.07.23



**48" FLAT TOP BOTTLE COOLER**

**48" CABINET**



**! WARNING: California Prop 65 Notice**

These products may expose you to chemicals including Chromium, which are known to the state of California to cause cancer and birth defects or other reproductive harm. For more information on whether a product in this list contains these chemicals, please refer to the specific product page at [perlick.com](http://perlick.com). Or to find out more about Prop 65, go to [P65Warnings.ca.gov](http://P65Warnings.ca.gov).

Form No. Z2913  
Rev. 06.07.23