



24" DUAL-ZONE WINE COLUMN
Panel Ready



JOB	
AREA	
ITEM NO.	
MODEL NO.	



MODELS	DESCRIPTION
CR24D-2-4LL	24" Dual-Zone Wine Column Left Hinge
CR24D-2-4RL	24" Dual-Zone Wine Column Right Hinge

KEY PRODUCT FEATURES AND BENEFITS

- Features patented dual zone technology for storage of red and white wine at optimal serving temperatures
- Smart Humidity advanced technology monitors humidity levels in the cabinet and pushes additional moisture into the cabinet to maintain 60-70% humidity maintaining corks and prevent oxidation
- Carbon air filtration removes odors from the cabinet that could be absorbed into corks over time
- PerliQ™ touch screen control panel disappears into the background until awoken for a modern look
- Customize temperature, activate sabbath mode, or adjust lighting with the sleek PerliQ™ Control panel – Smart temperature settings for red and white wine.
- All stainless steel and glass interior provides a hygienic, easy to clean, and beautiful cabinet
- R600a refrigerant improves efficiency without sacrificing performance

Quick Features:

- Triple-pane, UV-resistant glass provides protection from harmful light oxidation
- Convertible display shelf showcases 6 prized wine bottles and easily lays flat to store 8 bottles without additional parts and pieces
- Blue and White LED Interior lighting; Slow fade on and off; Lighting brightness control displays intensity settings in 20% increments (20-40-60-80-100%)
- High-capacity storage up to 68 750ml bottles
- All cabinets come ready to accept a locking panel from factory with all components included to install lock on custom panels
- Integrated design comes ready to accept custom panel and hardware, stainless steel panels available (ordered separately)
- 3 Year Full Parts & Labor +9 Additional Years Sealed System



24" DUAL-ZONE WINE COLUMN
Panel Ready

MODEL NUMBERS		CR24D-2-4LL	CR24D-2-4RL
MODEL DESCRIPTION		24" Dual-Zone Wine Column Left Hinge	24" Dual-Zone Wine Column Right Hinge
APPLIANCE EXTERIOR DIMENSIONS	Width - in. (mm)	23-3/4" (604)	23-3/4" (604)
	Depth - in. (mm)	24-1/16" (612)**	24-1/16" (612)**
	Height - in. (mm)	84" (2134)*	84" (2134)*
OPENING DIMENSIONS	Width - in. (mm)	24" (610)	24" (610)
	Depth - in. (mm)	25*** (635)	25*** (635)
	Height - in. (mm)	84" (2134)	84" (2134)
DEPTH WITH DOOR OPEN		49-3/4"	49-3/4"
INTERNAL VOLUME Net. Cu. Ft.		12.6 cu. ft.	12.6 cu. ft.
SHIPPING WEIGHT Lbs. (kg.)		514 lbs (233)	514 lbs (233)
SHIPPING DIMENSIONS	Width - in. (mm)	32" (813)	32" (813)
	Depth - in. (mm)	30" (762)	30" (762)
	Height - in. (mm)	92" (2337)	92" (2337)
ELECTRICAL SPECIFICATIONS	Electrical Supply	115 VAC/60 Hz/1 Ph	115 VAC/60 Hz/1 Ph
	Running Load Amps	3.2 amps	3.2 amps
	Electrical Service	15 amp dedicated circuit	15 amp dedicated circuit
	Cord Plug Type	NEMA 5-15 plug, 5' /3 prong grounding-type	NEMA 5-15 plug, 5' /3 prong grounding-type
MAX BOTTLE CAPACITY		68 750 ml. bottles	68 750 ml. bottles
SOUND PRESSURE RATING		42 dBA	
TEMPERATURE RANGES	Refrigerant	R600a (53g)	R600a (53g)
	Red Wine Mode	Factory set to 60° (range 40°-68°F)	Factory set to 60° (range 40°-68°F)
	White Wine Mode	Factory set to 50° (range 40°-68°F)	Factory set to 50° (range 40°-68°F)
	Cellar Mode	Factory set to 55° (range 40°-68°F)	Factory set to 55° (range 40°-68°F)

*Leveling legs allow for up to 3/4" of additional height. Leveling appliance correctly will lead to less door adjustments required.

**Depth does not include door panel, minimum 5/8" door panel is required, see installation instructions for full door panel details.

NOTE: Dual zone wine upper compartment temperature set point must always be set at or above the lower compartment set point.

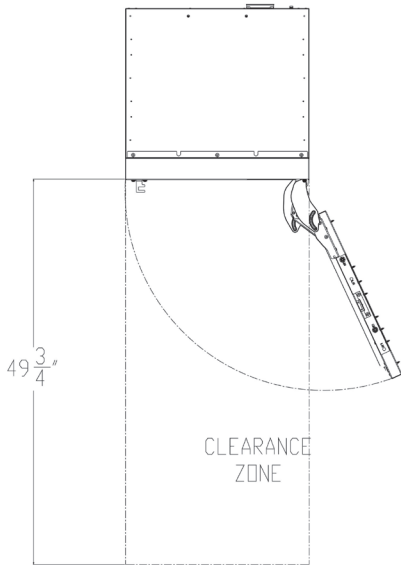
ACCESSORIES

- 36" Two tone polished chrome and stainless steel handle
- Dual installation kits for handle-to-handle and handle-to-hinge configurations
- Stainless steel overlay for glass door with four or six inch toe kick available with and without lock for field installation

Perlick accessories are available for purchase through an authorized Perlick dealer. For a full list of accessories and to find a dealer near you, visit perlick.com.



24" DUAL-ZONE WINE COLUMN
Panel Ready

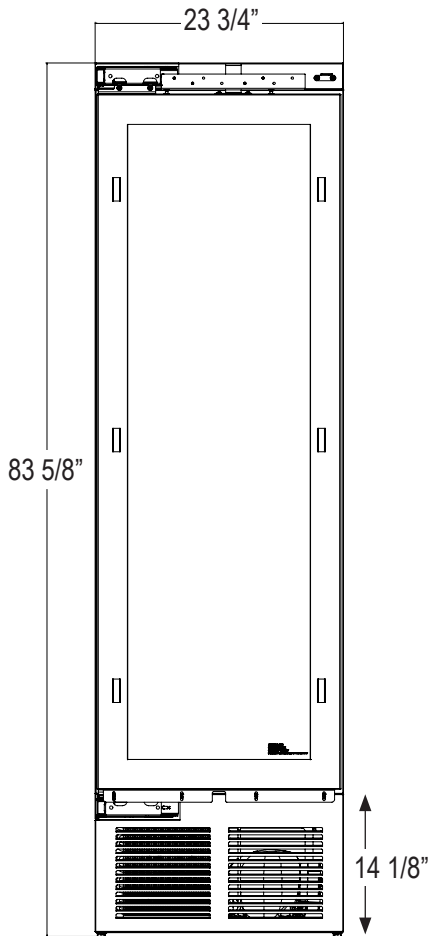


Max clearance required for opened door is 49-3/4" when opened to 90°* (dimensions shown are without door overlay installed.)

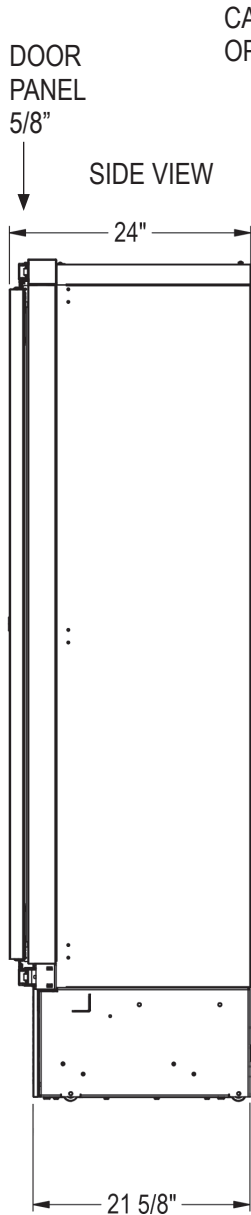
(Please note that door opens to 115°.)

*90° achieved when included hinge stop pin is installed. Pin must be installed prior to full integration.

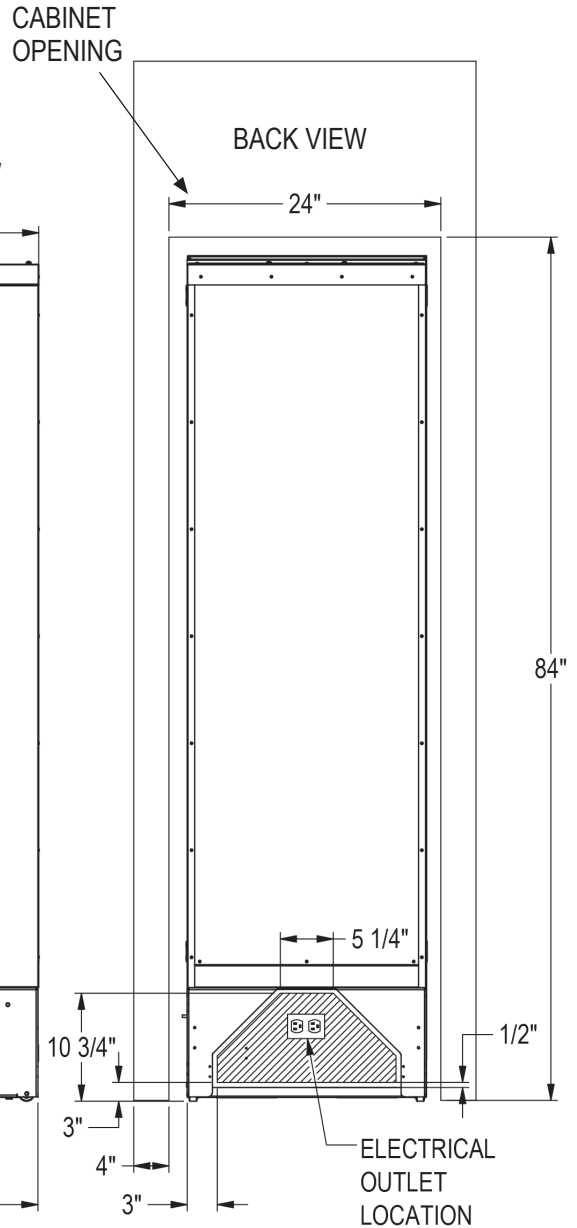
PLEASE NOTE: When installing column adjacent to wall, a 2" clearance is required if door opens towards the wall.



GLASS DOOR FRONT VIEW



SIDE VIEW



BACK VIEW

ELECTRICAL OUTLET LOCATION