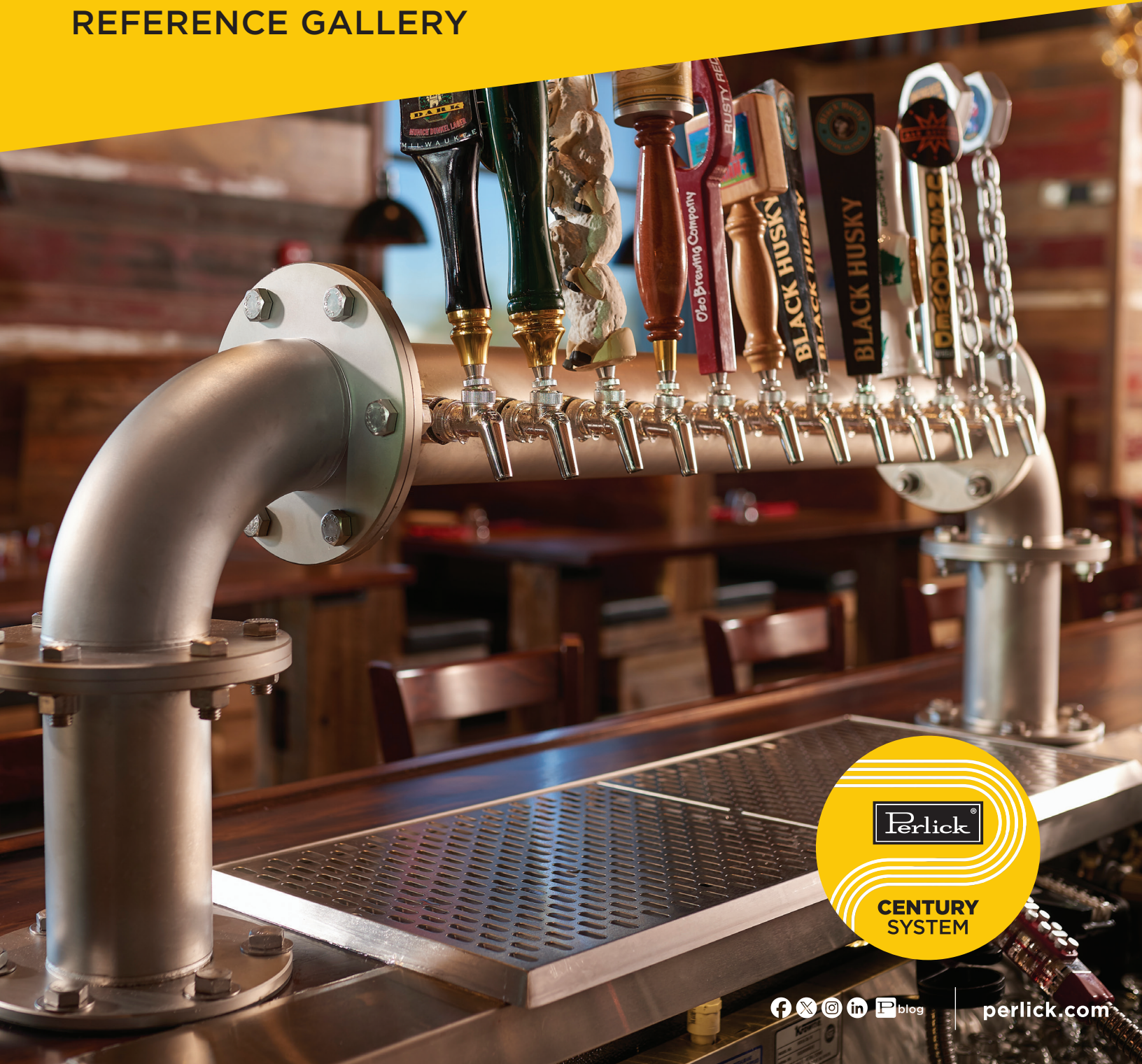




CENTURY SYSTEM DISPENSING TOWERS

—
REFERENCE GALLERY



GLYCOL COOLED

All Century Glycol cooled towers come standard with 304 stainless steel leads and shanks.

AVENUE T-PIPE TOWERS

Available faucet counts: 4, 6, 8, 10, 12

Standard finishes: Polished Stainless Steel

Perlick Century Part #: 4073-(#FCT)PO-SS

All models are NSF certified



AVENUE H-PIPE TOWERS

Available faucet counts: 6, 8, 10, 12, 14, 16

Standard finishes: Polished Stainless Steel

Perlick Century Part #: 4072-(#FCT)PO-SS

All models are NSF certified



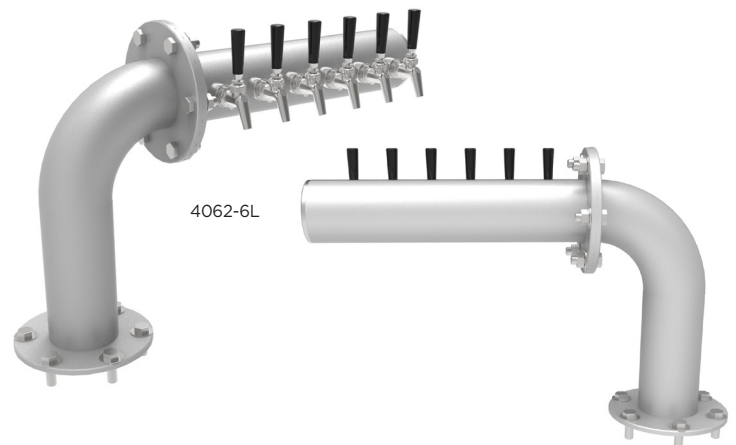
BREW PIPE TOWERS - L SHAPE

Available faucet counts: 6, 8, 10

Standard finishes: Schedule 5,
304L Stainless Steel Pipe

Orientation: Mounts with faucets facing right
or left (choose L/R suffix)

Perlick Century Part #: 4062-(#FCT)(L/R)

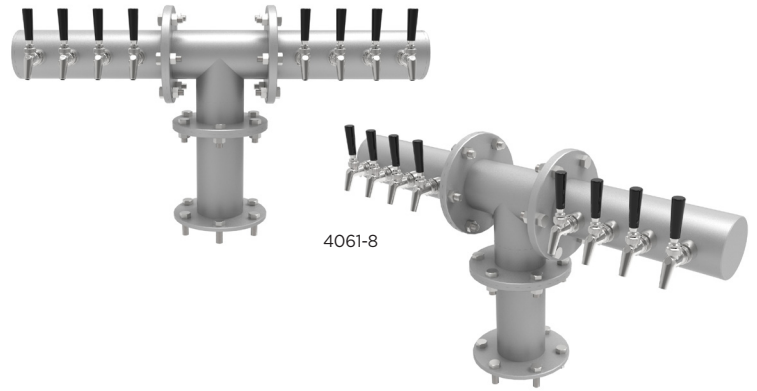


BREW PIPE TOWERS - T SHAPE

Available faucet counts: 6, 8, 10, 12, 16

Standard finishes: Schedule 5,
304L Stainless Steel Pipe

Perlick Century Part #: 4061-(#FCT)



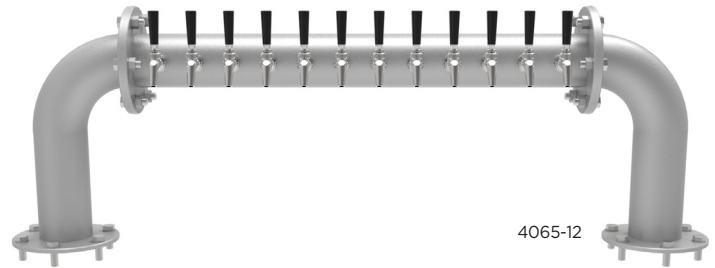
BREW PIPE TOWERS - PASS-THRU

Available faucet counts: 6, 8, 10, 12, 16, 20

Standard finishes: Schedule 5,
304L Stainless Steel Pipe

Orientation: Beer lines lead right or left
(choose L/R suffix - applies
to 6-10 faucet counts)

Perlick Century Part #: 4064-(#FCT)(L/R)*
or 4065-(#FCT)**



*6-10 faucet counts **12, 16, 20 faucet counts

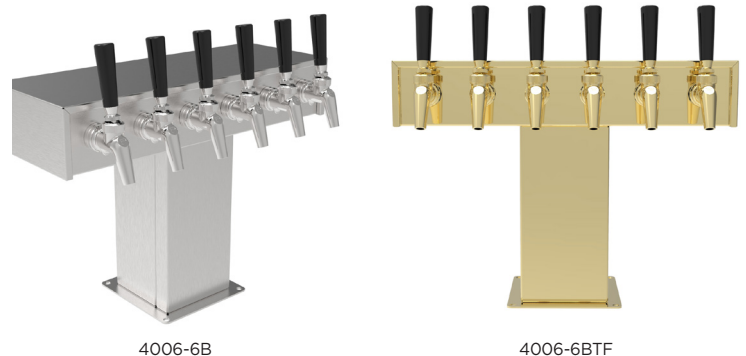
TEE TOWER - STANDARD BASE

Available faucet counts: 2-7

Standard finishes: Stainless Steel, Polished
Chrome, Tarnish-Free Brass

Perlick Century Part #: 4006-(#FCT)B(TF)(PC)

Options: Add suffix 2 (+2-5/8") or
4 (+3-3/4") to add height
to tower



All models are NSF certified

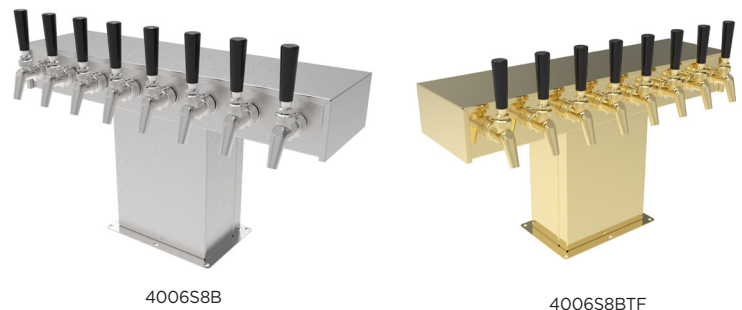
TEE TOWERS - WIDE BASE

Available faucet counts: 8-10, 12

Standard finishes: Stainless Steel, Polished
Chrome, Tarnish-Free Brass

Perlick Century Part #: 4006S(#FCT)B(TF)(PC)

Options: Add suffix 2 (+2-5/8") or
4 (+3-3/4") to add height
to tower



All models are NSF certified

BRIDGE TOWERS

Available faucet counts: 8-10, 12, 16, 20, 24*, 30*

Standard finishes: Stainless Steel, Polished Chrome, Tarnish-Free Brass

Perlick Century Part #: 4006-(#FCT)B(TF)(PC)

Options: Add suffix 2 (+2-5/8") or 4 (+3-3/4") to add height to tower

All models are NSF certified

**Triple Base*



4006-12B



4006-12BTF

BRIDGE TOWERS - BACK TO BACK

Available faucet counts (per side): 8, 10, 12, 16, 18 (per side)

Standard finishes: Stainless Steel, Polished Chrome, Tarnish-Free Brass

Perlick Century Part #: 4006-(#FCT)BX(#FCT)B(TF)(PC)

Options: Add suffix 2 (+2-5/8") or 4 (+3-3/4") to add height to tower



4006-16BX16B

WINGED TEE TOWERS

Available faucet counts: 4-6, 8

Standard finishes: Stainless Steel, Polished Chrome, Tarnish-Free Brass

Perlick Century Part #: 66500-(#FCT)B(TF)(PC)*

Options: Illuminated medallions - add suffix "IM" to tower part number

**8 faucet part number is 66500-S8B(TF)(PC)*



66500-6BTF



66500-6BPC



66500P-6BIM

WINGED BRIDGE TOWERS

Available faucet counts: 8, 10, 12

Standard finishes: Stainless Steel, Polished
Chrome, Tarnish-Free Brass

Perlick Century Part #: 66500-(#FCT)B(TF)(PC)

Options: Illuminated medallions - add
suffix "IM" to tower part number



POLISHED CHROME BREW PIPE TOWERS

Available faucet counts: 8, 10, 12

Standard finishes: Polished Chrome

Orientation: Beer lines lead left or right

Perlick Century Part #: 4066-(#FCT)(L/R)*

**Add L/R based on desired beer lead direction*



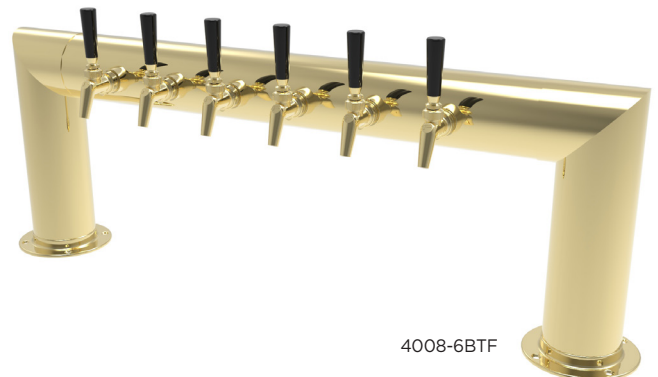
PIPE TOWER - PASS THRU

Available faucet counts: 6, 8, 10, 12

Standard finishes: Polished Chrome,
Tarnish-Free Brass

Perlick Century Part #: 4008-(#FCT)B(TF)
for 6 & 8 faucets;

4009-(#FCT)B(TF)
for 10 & 12 faucets



All models are NSF certified

DRAFT ARMS 3" O.D.

Available faucet counts: 1-3

Standard finishes: Polished Chrome, Tarnish-Free Brass

Perlick Century Part #: 4010(TF)

4016(TF)

4026(TF)

Options:

Add suffix 1 (+1") or 3 (+3") to add height to 1 or 2 faucet towers

Add suffix 2 (+2") to add height to 3 faucet towers

All models are NSF certified



4010



4016TF

DRAFT ARMS 4" O.D.

Available faucet counts: 3-4

Standard finishes: Polished Chrome, Tarnish-Free Brass

Perlick Century Part #: 4028(TF)

4029(TF)



4029

MODULAR WALL MOUNT DISPENSER

Available faucet counts: 2-32

Standard finishes: Stainless Steel

Perlick Century Part #: 4076(BK/DN)(#FCT)(M/X)

Options:

Beer leads run out the back ("BK") or bottom ("DN")

Optional glass rinser available on each glass rack ("M")

For no glass rinser, use suffix "X"



4070 AND 4075 SERIES WALL MOUNT DISPENSING HEADS

Available faucet counts: 2, 4, 6, 8

Standard finishes: Stainless Steel

Perlick Century Part #: 4070A(#FCT)B - 2 and 4 faucets
4075A(#FCT)B - 6 and 8 faucets



SPACESAVER UNDERBAR HEADS

Available faucet counts - 13" Width: 2-4

Available faucet counts - 21" Width: 2-7

Standard finishes: Stainless Steel

Perlick Century Part #: 4040A(#FCT)B for 13" width
4060A(#FCT)B for 21" width

Options: Add suffix "-BTM" for leads out of the bottom instead of back



GAMBRINUS TOWER

Available faucet counts: 3-6, 3/3 back-to-back,
4/4 back-to-back

Standard finishes: Polished Chrome, Satin Chrome,
Tarnish-Free Brass

Perlick Century Part #: 4005-(#FCT)B(TF)(PC)
for 3-6 faucets
4005D(#FCT)B(TF)(PC) for 3/3
and 4/4 faucet back-to-back



TORINO TOWER

Available faucet counts:
2-3

Standard finishes:
White, Blue or
Green Body w/ Tarnish-
Free Brass Collar

Perlick Century Part #:
4054(Color)(#FCT)B

Colors:
White (WH), Blue (BL),
Green (GR)



ROMA TOWER

Available faucet counts:
3-5

Standard finishes:
Polished Chrome or Gold
Body w/ Black, White,
Blue or Green skirt

Perlick Century Part #:
4056(Color)(#FCT)B(PC)

Colors:
White (WH), Blue (BL),
Green (GR)



4056WH4BPC

LUCKY TOWER

Available faucet counts:
1-3

Standard finishes:
Polished Chrome, Gold



4041-2B

*Drip pans
sold separately*

PANTHER TOWER

Available faucet counts:
3-4

Standard finishes:
Polished Chrome, Gold



4043-4B

COBRA TOWER

Available faucet counts:
1-4

Standard finishes:
Polished Chrome



4085-4B

SEXY TOWER

Available faucet counts:
2

Standard finishes:
Polished Chrome,
Gold



4045-2B

NAPOLI TOWER

Available faucet counts:
2

Standard finishes:
Polished Chrome,
Gold



4053PC2B

AIR-COOLED

Century air-cooled systems are to be used in conjunction with blown air from the walk-in cooler. Options for dispensing are shown below.

THROUGH-THE-WALL TAPPING

Choose shank kits based on wall thickness. Kits support wall thickness up to 9”.



MODULAR WALL MOUNT

Wall mounted tower ranging from 2-32 faucets can be mounted directly to the cooler or to a stud wall within 12' of the cooler wall.

Additional components are required. Please reference pages 53-54 of the Perlick Century catalog.



COUNTER MOUNTED TOWER WITH A DUAL AIR SHAFT SYSTEM

Available towers:

Draft Arm in 1-3 faucets
Tee Towers in 2-6 faucets

Please see page 55 of the Perlick Century catalog for additional components.

