



**18" SHALLOW DEPTH ADA-HEIGHT COMPLIANT SERIES**  
*Single Door Refrigerator/Wine Reserve*



JOB	
AREA	
ITEM NO.	
MODEL NO.	



**HD24RS**  
*Shown with Solid  
 Stainless Steel Door (S)*



**HD24RS**  
*Shown with Glass with  
 Stainless Steel Frame Door (S)*



**HD24WS**  
*Shown with Glass with  
 Stainless Steel Frame Door (S)*

<b>MODEL NO.</b>
HD24RS
HD24WS

MODEL NUMBERS - HD24RS, HD24WS

**KEY PRODUCT FEATURES AND BENEFITS**

- Exclusive 18" deep shallow depth perfect for locations with tight access
- ADA-height compliant controls and height designed to fit under ADA-height compliant counter tops
- All stainless steel interior ensures consistent cabinet temperature and hygienic easy to clean environment that will not absorb odors over time
- Full extension, smooth glide shelving gives easy access to product and faster, more ergonomic product loading
- Ultra-quiet and energy efficient smart compressor – compressor ramps up as additional cooling is needed maximizing energy savings while decreasing pull down time
- NSF rated digital controller allows for precision temperature setting and features an audible door alarm, alerting the operator if an intrusion will not allow the door to close
- Open shelf design allows cold air to surround product reducing temperature variation in the cabinet and extending product life
- 525 BTU/hr fast pull down of product to serving temperature

**Quick Features:**

- All stainless steel wine shelves ensures zero off gassing or odor absorption
- Accessory wood front available to match custom overlays
- 2" Foamed-in-place insulation provides energy savings using Ecomate(tm), a blowing agent that has zero-ozone depletion and zero global warming potential
- Smart defrost cycle runs only when needed, increasing energy efficiency over standard systems
- Selectable white or blue LEDs provide crisp line of sight to product
- Solid and uv-coated glass door options available in both stainless steel or black vinyl finish
  - Black vinyl door panels can easily be removed to allow a custom wood overlay to be applied
  - Custom door panels are customer supplied – see [perlick.com](http://perlick.com) for door overlay templates
- Multiple handle, legs, and caster options available
- Field reversible door allows for easy replacement or re-purposing
- Door lock optional
- NSF 7 rated for canned and bottle beverage storage
- No plumbing required
- 1 Year Warranty, 5 Year Compressor Warranty

Form No. Z2366  
 Rev. 04.12.22



**18" SHALLOW DEPTH ADA-HEIGHT COMPLIANT SERIES**  
**Single Door Refrigerator/Wine Reserve**

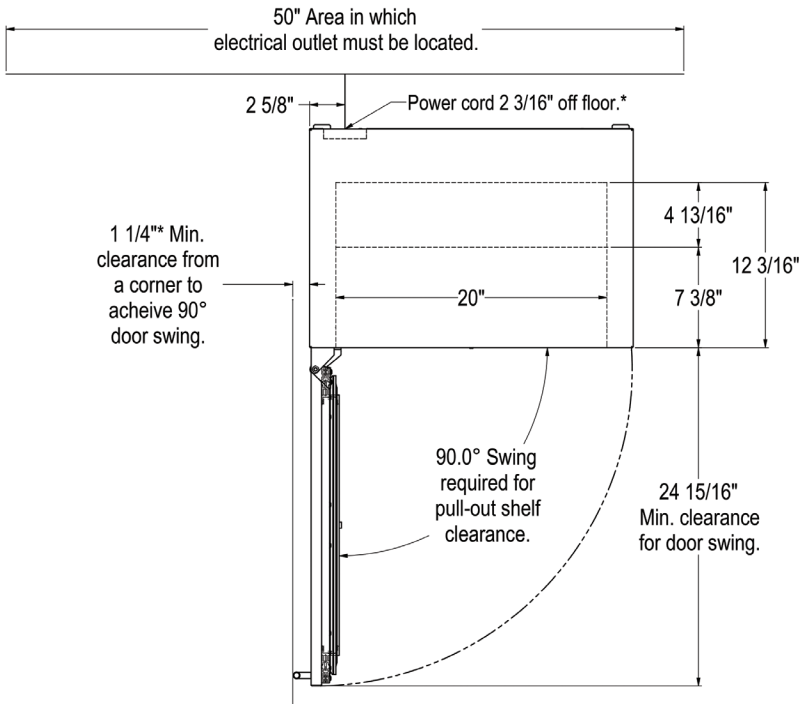
MODEL NO.		HD24RS	HD24WS
CABINET DIMENSIONS	Length Ins. (mm)	23-7/8" (606)	23-7/8" (606)
	Depth Ins. (mm)	18" (457)	18" (457)
	Height Ins. (mm)	32" (813)	32" (813)
SHIP WEIGHT LBS. (KG)		185 (83)	185 (83)
CAPACITY CU. FT. (L.)		3.1 (88)	3.1 (88)
SHELVING		2 black vinyl-coated full-extension shelves (adjustable)	4 black vinyl-coated full-extension wine shelves (adjustable). Each wine shelf holds 5 (750 ml) wine bottles.
CABINET CONSTRUCTION (INT.)		Interior Stainless Steel	
CABINET CONSTRUCTION (EXT.)		Exterior Sides, Exterior Top Stainless Steel Exterior Back Galvanized Door Exterior Customer Choice (see below under 'Customer Options')	
CABINET INSULATION		Polyurethane-Ecomate. Wall Thickness-2" Door, Drawer Thickness-2" (solid stainless steel only)	
DOORS, HINGING & HARDWARE		Number of Doors 1 Opening Style Hinged (Left or Right) Door Style Solid or Glass Door Swing Clearance 25" (635) Locks Available (factory installed)	
CONDENSING UNIT		Condenser Access Front	
REFRIGERATION		Refrigerant R600a (62g) Expansion Device Capillary Tube Type w/ Hermetic Compressor	
HEAT REJECTION AT 75°F AMBIENT		350 BTU/hr	
PULL DOWN CAPACITY		525 BTU/hr	
PLUMBING		None required. Moisture drains to self evaporating condensate pan	
ELECTRICAL		Electrical Supply 115V/60 Hz/1 Phase Running Load Amps 1.9 Cord Connection Cord Connected (3-prong 6" NEMA 5-15P) Thermostat Electro-Mechanical Lighting Type Incandescent	
TEMPERATURE SETTINGS F°(C°)		Temp. Range 34° (1.1°) - 42° (5.6°) Factory Temp. Setting 36° (2.2°)	Temp. Range 40° (4.4°) - 68° (20°) Factory Temp. Setting 55° (12.8°)
CUSTOMER OPTIONS		Door Finishes Black Vinyl/Field Laminate (B), Stainless Steel (S), Glass w/ Black Vinyl/Field Laminate (G), Glass w/ Stainless Steel Frame (T), Black Vinyl/Field Laminate Drawers (D) Door Handle Options 24" full length stainless steel, Classic 6" chrome w/black vinyl grip, tab handle (top mount, stainless steel) NOTE: Glass option not available for freezer	
ADDITIONAL ACCESSORIES		Door Locks (Castors and Legs: Not Applicable)	

\*Product capacity based on 12 oz. long neck bottles (Refrigerator), 3" diameter glass size (Freezer) and 750 ml. wine bottles (Wine Reserve)

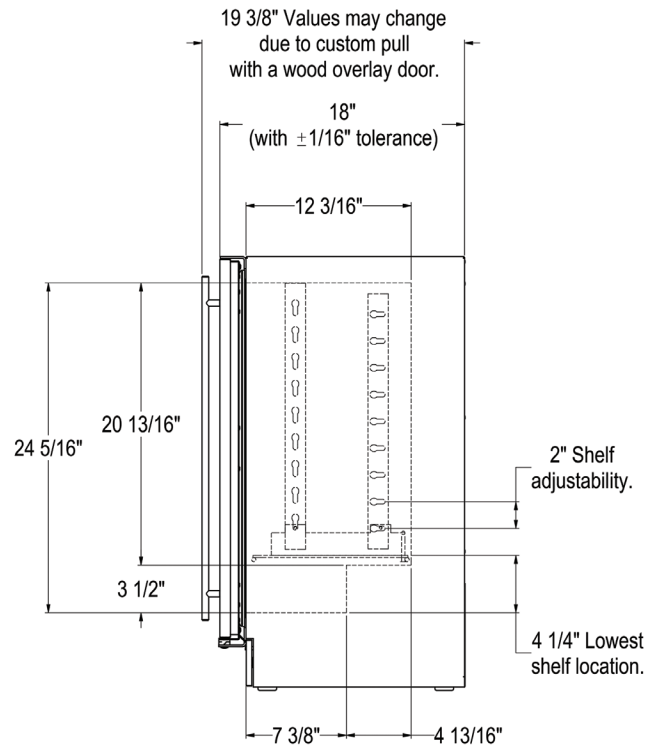
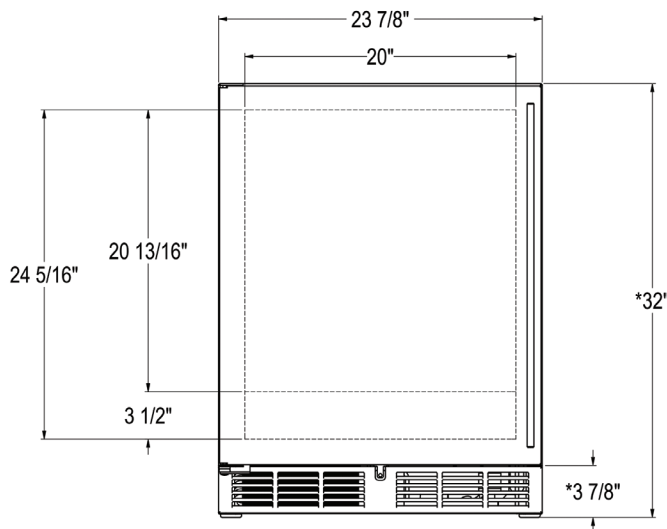
**NOTE:** This equipment is intended for the storage and display of non-potentially hazardous bottled or canned products only!



**18" SHALLOW DEPTH ADA-HEIGHT COMPLIANT SERIES**  
*Single Door Refrigerator/Wine Reserve*



\*- Leg levelers can add 3/4" to these dimensions when fully extended.



**California Prop 65 Notice:**



**WARNING:** The materials used in this product may contain chemicals known to the State of California to cause cancer and birth defects or other reproductive harm, For more information go to [www.P65Warnings.ca.gov](http://www.P65Warnings.ca.gov).

Form No. Z2366  
 Rev. 04.12.22