



PERLICK®



MODEL NUMBERS – MOBS-42TS, MOBS-66TS, MOBS-66TS-S,

PERLICK MOBILE BARS



MOBS-42TS

MOBS-66TS

MOBS-66TS-S

JOB	
AREA	
ITEM NO.	
MODEL NO.	

MODELS
MOBS-42TS
MOBS-66TS
MOBS-66TS-S

TAKE THE PARTY ANYWHERE

Perlick's Mobile Bars are an economical solution to ensure patrons and staff are safely socially distanced. Easily move the bar anywhere within your venue for layout flexibility. Utilize one or several units to create multiple stations to maximize sales of highly-profitable cocktails.

Quick Features:

- Laminate, stainless steel, or engineered solid surface bar top options
- Laminate exterior offered in multiple color options
- Ice melt drainage tank
- Stainless steel drink rail
- Locking 5" 304 stainless steel casters, for corrosion resistance, with polyurethane tread
- Lower storage area for glass racks, dry goods, and canned or bottled beverages
- Dimmable LED bartender task lighting for operating in the evening light environments

Form No. Z2649
Rev. 03.27.26



PERLICK MOBILE BARS

MODEL NOS.		MOBS-42TS	MOBS-66TS	MOBS-66TS-S
DIMENSIONS: EXTERIOR (mm)	Length	46-1/4" (1175)	70-1/8" (1785)	70-1/8" (1785)
	Width	32-3/16" (819)	32-3/16" (819)	32-3/16" (819)
	Height	46-5/16" (1176)	46-5/16" (1176)	46-5/16" (1176)
	Weight (lbs)	236 lbs. (107 kg)	339 lbs. (154 kg)	370 lbs. (168 kg)
DIMENSIONS: SHIPPING (mm)	Length	60" (1524)	75" (1905)	75" (1905)
	Width	40" (1016)	40" (1016)	40" (1016)
	Height	70" (1778)	70" (1778)	70" (1778)
	Weight (lbs)	316 lbs. (143 kg)	439 lbs. (199 kg)	470 lbs. (213 kg)
PERLICK BAR EQUIPMENT	Ice Chest	TS30IC with sliding cover	TS30IC with sliding cover	TS30IC with sliding cover
	Insulated Bottle Well	TS12U	TS12U	TS12U
	Drainboard	N/A	TS12DB (2 ea.)	TS12DB (1 ea.)
	Hand Sink	N/A	N/A	TS12HSN with side splash
	Speed Rail	SR-S42A (1 ea.)	SR-S42A (1 ea.) SR-S12A (2 ea.)	SR-S42A (1 ea.) SR-S12A (2 ea.)
ELECTRICAL	Voltage	120V AC	120V AC	120V AC
	Frequency	60 Hz	60 Hz	60 Hz
	Phase	Single	Single	Single
	Amperage	0.3 A	0.4 A	13.3 A
	Connection	NEMA 5-15P	NEMA 5-15P	NEMA 5-15P
	Cord Length	12ft	12ft	12ft
DIMMABLE LED TASK LIGHTING	Color Temperature	4000K	4000K	4000K
	Lumen Output	High - 1200 LM Medium - 800 LM Low - 400 LM	High - 1200 LM Medium - 800 LM Low - 400 LM	High - 1200 LM Medium - 800 LM Low - 400 LM
WATER HEATER	Temperature Range	N/A	N/A	50°F - 140°F
	Tank Volume	N/A	N/A	1.5 gal
	Recovery time @ 60°^	N/A	N/A	8 minutes
WATER PUMP	Max Flow	N/A	N/A	3 GPM (11.3 LPM)
	Switch Off Pressure	N/A	N/A	45 PSI (3.1 bar)
GRAY WATER/ICE MELT TANK (PRE-PLUMBED)	Capacity	5 gal (18.9 L)	5 gal (18.9 L)	6 gal (22.7 L)
POTABLE WATER TANK (PRE-PLUMBED)	Capacity	N/A	N/A	5 gal (18.9 L)

LAMINATE EXTERIOR OPTIONS



Black (BL)



Pewter Brush (PB)



Beige Suede (BS)



Maple (MP)



Red Maple (RM)



Gray Sand (GS)



Ebony Wood (EW)



Amber Maple (AM)



Mahogany (MH)



Victorian Cherry (VC)

Note: Custom Vinyl wrap graphics available (Must call Perlick for quote and ordering process) - (VW)

BAR TOP OPTIONS

Standard



Black (BL)



Pewter Brush (PB)



Beige Suede (BS)



Maple (MP)



Red Maple (RM)



White Quartz (WQ)



Black Pearl (BP)



Stainless Steel (SS)



Gray Sand (GS)



Ebony Wood (EW)



Amber Maple (AM)



Mahogany (MH)



Victorian Cherry (VC)



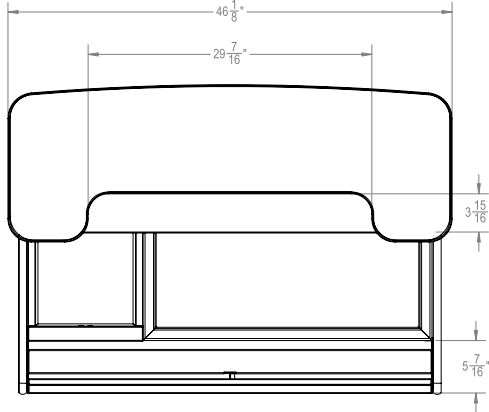
Allspice Quartz (AQ)

Engineered Solid Surface

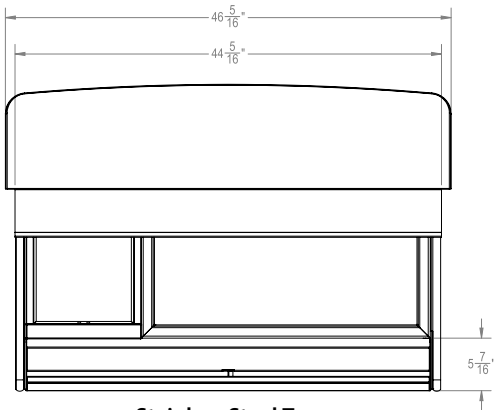
Stainless Steel

PERLICK MOBILE BARS

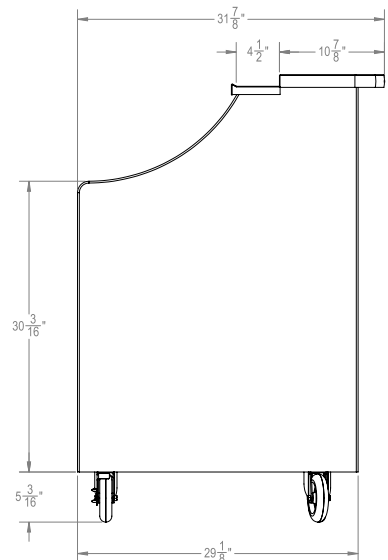
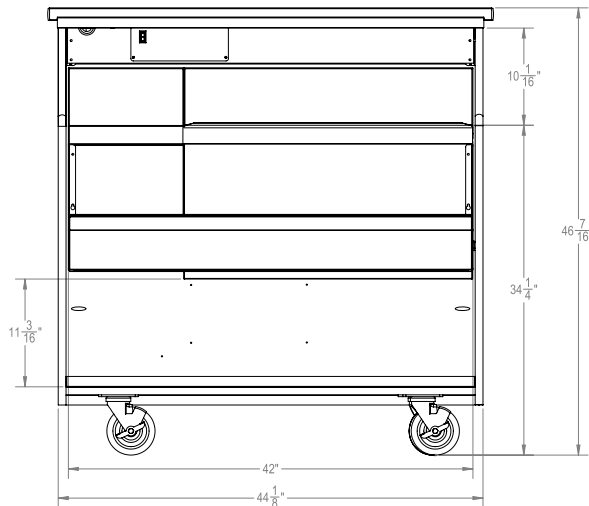
MOBS-42TS



Laminate / Solid Surface Top

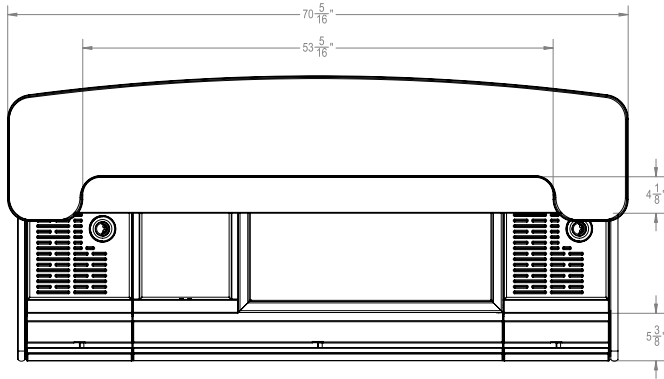


Stainless Steel Top

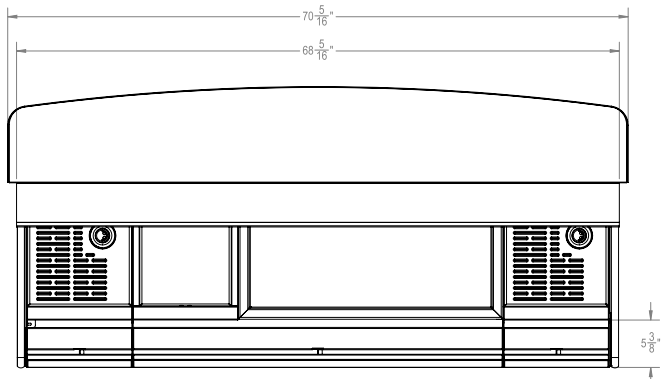


PERLICK MOBILE BARS

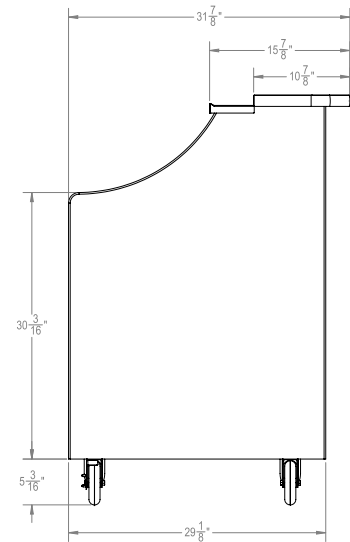
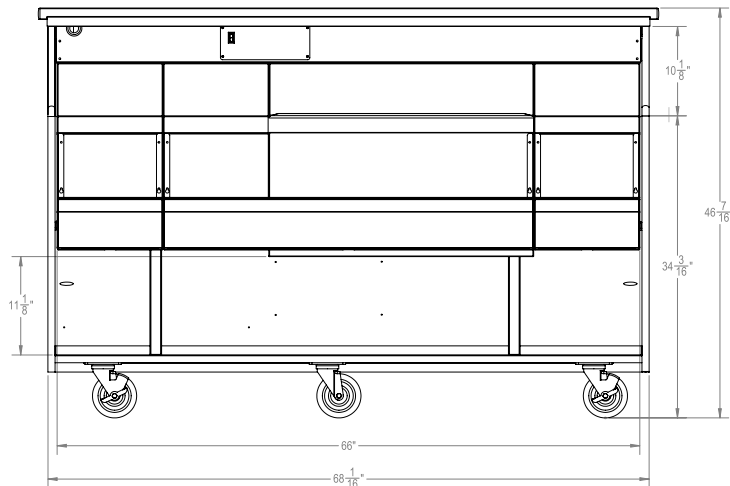
MOBS-66TS



Laminate / Solid Surface Top

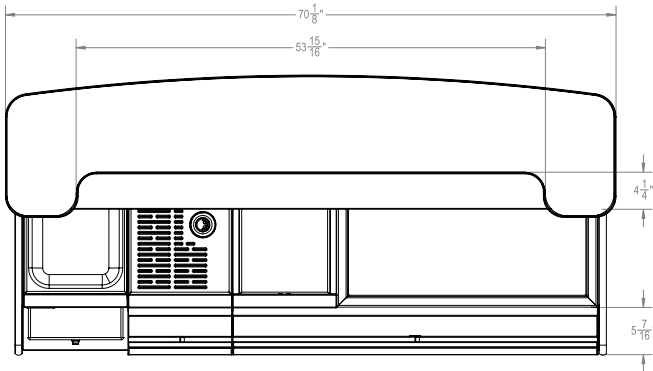


Stainless Steel Top

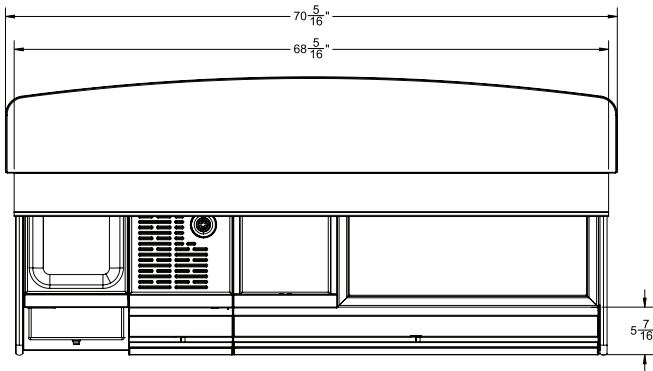


PERLICK MOBILE BARS

MOBS-66TS-5



Laminate / Solid Surface Top



Stainless Steel Top

