

BARTENDER'S COCKPIT™ 78" WITH DRAINBOARD



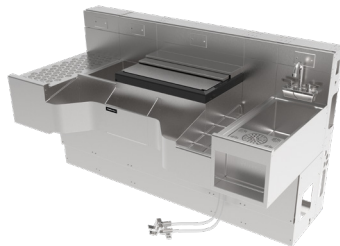
PCE78-A-6



PCE78-B-6



PCE78-C-6



PCE78-A-MB

JOB	
AREA	
ITEM NO.	
MODEL NO.	

MODELS		
PCE78-A-4	PCE78-A-6	PCE78-A-MB
PCE78-B-4	PCE78-B-6	PCE78-B-MB
PCE78-C-4	PCE78-C-6	PCE78-C-MB

SHORT DESCRIPTION

The Cockpit Collection evolves the award-winning pre-configured Bartender's Cockpit™ into a range of new sizes, additional configurations, giving operators greater flexibility in space and functionality.

FEATURES & BENEFITS





- All units include 18" drainboard with heavy-duty 18-gauge stainless steel and 'Honeycomb' shaped perforated insert maximizes airflow for faster glass drying and designed to withstand high-volume use
 - For Option A: Insulated bottle well holds up to (9) 750ml bottles or (6) 1L stor-n-pours, keeping juices, syrups, wine, and batch chilled and within arm's reach
 - For Option B: Soda manifold housing with insulated bottle well holds up to (6) 750ml bottles or (4) 1L stor-n-pours, keeping juices, syrups, wine, and batch chilled and within arm's reach. Included tool-free flip-down soda manifold mount which accepts standard soda gun system for quick installation and simplified maintenance
 - For Option C: The Ice Vault is the industry's first NSF-certified large-format ice management system, designed to integrate seamlessly into the cocktail station and optimize craft ice storage (48 cubes), tempering, and bartender efficiency with a patent-pending VariChill™ adjustable temperature damper
- All units include 24" sectioned ice chest with 10-circuit cold plate and stainless dividers keeps ice organized and beverages consistently cold
- All units include exclusive curved speed rail design moving bartenders closer to the work surface, service counter, and guests – improving speed, comfort, and guest interaction
- All units include 12" slanted liquor rack keeps bottles secure, visible, and within instant reach for speedy access to (18) standard size liquor bottles
- All units include 12" multi-function prep sink with foot-operated swing spout faucet, integrated glass rinser, and recessed bartender's cubby for bitters, small bottles, towels, and more



PERLICK®



BARTENDER'S COCKPIT™ 78" WITH DRAINBOARD

MODEL NOS.	PCE78-A-4	PCE78-A-6	PCE78-A-MB	PCE78-B-4	PCE78-B-6	PCE78-B-MB	PCE78-C-4	PCE78-C-6	PCE78-C-MB	
DIMENSIONS: EXTERIOR (mm)	Overall Length	78"								
	Unit Depth	27.56"	32.56"	32.56"	27.56"	32.56"	27.56"	32.56"	32.56"	
	Unit Height	36"			40"			36"		
	Mounting	Free Standing		Mod Bar	Free Standing		Mod Bar	Free Standing		Mod Bar
	Ice Capacity lbs. (kg)	50 (22.7)								
	Liquor Bottle capacity (750ml)	46						40		
	Shipping Dimensions	80" X 30" X 35"								
	Shipping weight	520 lbs								
COMPONENT MODEL NUMBERS	Bottle Well Unit 	TSC12IBW			TSC12IBW-MH			ISC12		
	Ice Bin 	TSC24IC10								
	Liquor Step 	TSCE12SSR								
	Prep Sink 	TSCE12PS-RC								
	Accessories included	Ice bin cover (ICC-C30), Bin divider (1) (ICC-TSC), Perlick Exclusive curved speed rail set (SRC-S12), Splash mounted gooseneck faucet and foot pedal (934GN-LF & 67420-2-LF), Stainless steel wet waste basket (7055-47)								
	Certifications	Model numbers used in these pre-configured cocktail stations are NSF listed								
SPECIFICATIONS	Materials	Stainless steel, ABS top rim on ice chests								
	Drain Sizes	1/2" NPS Drain - Bottle Wells 1/2"- 14 NPSM Male Drain - Ice Chests 1-1/2" NPS Drain - Prep Sink								
	Cold Plate	10 Circuit cast aluminum cold plate on all models, accepts standard 1/4" ID beverage tubing								
	Ice Vault	R290 refrigerant – 30 grams, 1/10th HP, 115 volt, 60 Hz, 1 Amp, 1 Phase AC, furnished with 8ft power cord								
	Back Splash	4" height with 1" return	6" height with 1" return	Modbar 40-3/8" overall	4" height with 1" return	6" height with 1" return	Modbar 40-3/8" overall	4" height with 1" return	6" height with 1" return	Modbar 40-3/8" overall
	Faucet	Backsplash mounted, used with Perlick foot pedal, 1/2" IPS hot and cold connections								
	Glass Rinser	1/2" NPS for valve connection for 3/8" flexible hose - glass rinser								
	Legs	1-5/8" Tubular, stainless steel with 1" adjustable thermoplastic foot								
Sink bowl	9-1/2" x 16-5/16" x 7-3/16" Deep, accomodates optional wet waste pan									

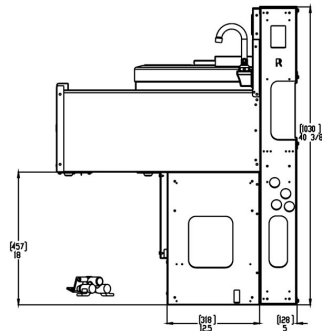
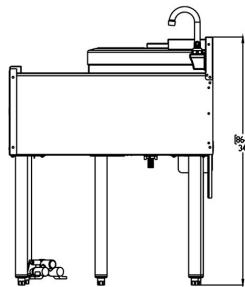
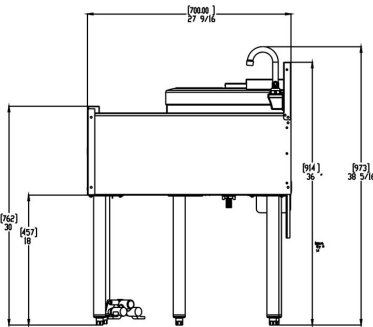
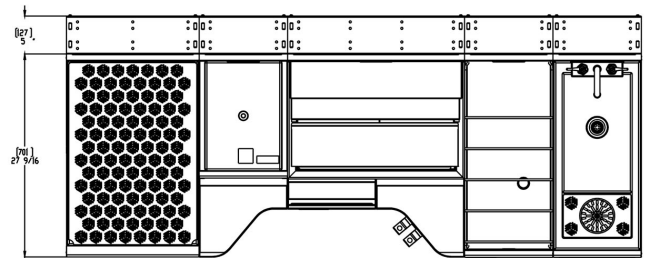
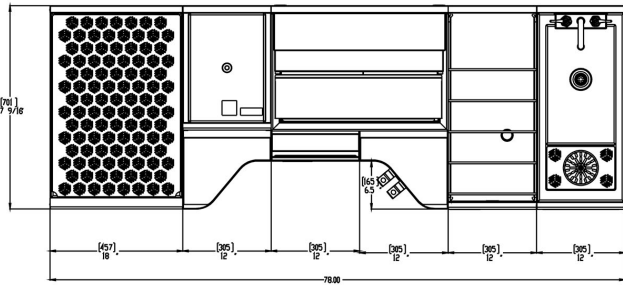
Form No. 3051
Rev 05/12/26

BARTENDER'S COCKPIT™ 78" WITH DRAINBOARD

ITEM #	DESCRIPTION
PCE78-A-4	Preconfigured Cocktail Station, Bottle Well, Freestanding, 4" Backsplash
PCE78-A-6	Preconfigured Cocktail Station, Bottle Well, Freestanding, 6" Backsplash
PCE78-A-MB	Preconfigured Cocktail Station, Bottle Well, Modbar Die Wall

PCE78-A-4
PCE78-A-6

PCE78-A-MB



BARTENDER'S COCKPIT™ 78" WITH DRAINBOARD

ITEM #	DESCRIPTION
PCE78-B-4	Preconfigured Cocktail Station, Bottle Well with Soda Gun Manifold, Freestanding, 4" Backsplash
PCE78-B-6	Preconfigured Cocktail Station, Bottle Well with Soda Gun Manifold, Freestanding, 6" Backsplash
PCE78-B-MB	Preconfigured Cocktail Station, Bottle Well with Soda Gun Manifold, Modbar Die Wall

PCE78-B-4
PCE78-B-6

PCE78-B-MB

