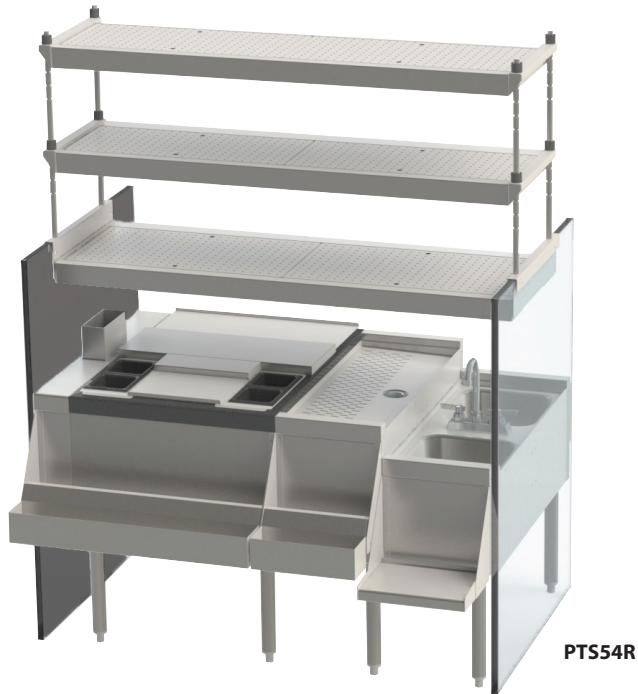




PRECONFIGURED PASS THRU STATION
54" X 32"



JOB	
AREA	
ITEM NO.	
MODEL NO.	

MODELS
PTS54L
PTS54R

KEY PRODUCT FEATURES AND BENEFITS

- Includes end finish panels to mount the overshelves
- Left and right hand versions available to fit your bar layout
- Designed to efficiently work through the entire cocktail life cycle
- Great for busy environments allowing server staff to prepare soft drinks while bartenders focus on alcoholic drinks
- Sound deadened equipment for quiet operation

Quick Features:

- All stainless construction for longevity
- Includes pass thru ice bin with tubing chase, wet waste sink, faucet, and bartender side double speed rail and blender shelf
- Available with 3 overshelves providing plenty of glass storage with in easy reach of the bartender or wait staff



PRECONFIGURED PASS THRU STATION
54" X 32"

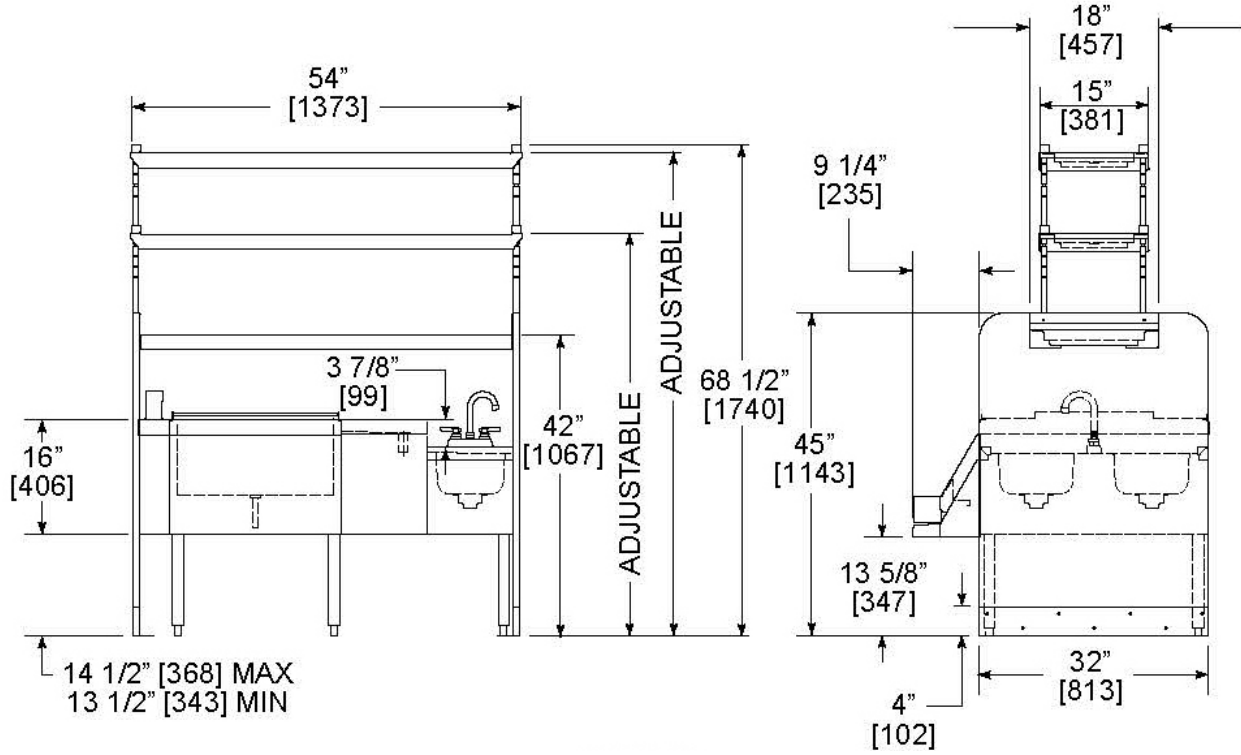
MODEL NUMBERS - PTS54L, PTS54R

MODEL NOS.	PTS54L		PTS54R
DIMENSIONS: EXTERIOR (mm)	Length	54" (1372)	54" (1372)
	Weight Lbs. (kg)	575 (261)	575 (261)
PERLICK BAR EQUIPMENT	General	All exterior parts made from stainless steel. Bottom pans, where applicable made from galvanized steel.	
	Legs	1-5/8" tubular, stainless steel with 1" adjustable thermoplastic foot	
FILLER SECTION	Model No.	PT4CO	
	Dimensions	4-1/4" x 32"	
	Chase	2-3/4" x 6" x 4"	
ICE CHEST	Model No.	PT24IC10	
	Dimensions	24" x 32"	
	Ice Capacity	95 lbs.	
	Drain Connection	1/2" NPS	
	Bottle Wells	4 Bottle wells with 4 piece cover	
	Cold Plate	8 circuit cast aluminum plate concealed under ice chest liner. 5/16" O.D. stainless steel tubing with swaged end to accept standard 1/4" I.D. beverage tubing.	
DRAINBOARD	Model No.	PT12	
	Dimensions	12" x 32" embossed stainless steel	
	Drain Connection	1-1/2" NPS Male	
SINK	Model No.	PT12S2	
	Dimensions	12" x 32"	
	Bowl Size	10-5/8" x 9-5/8" x 6" deep. Undercoated to absorb sound.	
	Drain Connection	1-1/2" NPS Male	
	Faucet	Deck mounted, NSF listed, commercial grade hot/cold, chrome plated, goose neck spout	
	Supply Connection	1/2" IPS shanks and nuts	
	Wet Waste Box	2 perforated plastic 1/4 size pans	
OVERSHELVES	Fixed Shelf Dimensions	52-1/4" x 18"	
	Glass Racks	(2) Removable	
	Drain Connection	3/8" tailpiece for flexible hose	
	Adjustable Shelf Dimensions	52-1/4" x 15". Includes (2) shelves. (4) removable glass racks and stainless steel posts. Self draining - 3/8" tailpiece.	
END PANELS	Dimensions	32" x 7/8" x 45" high	
	Finish	Stainless steel. Includes stainless steel floor mounting brackets.	
INCLUDED ACCESSORIES	28" Bottle rail, hang-on bottle rail (spanning ice chest and filler section). 12" Blender shelf mounted to dual sink. 12" Bottle rail and 12" hang-on bottle rail (mounted to drainboard).		
OPTIONAL ACCESSORIES	Ice chest condiment cup rack, towel ring, and sink drain assembly		

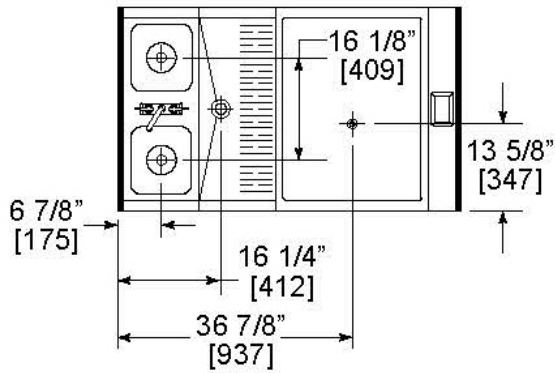


PRECONFIGURED PASS THRU STATION
54" X 32"

PTS54R



PTS54L
Top/Left View



PTS54R
Top/Right View

