



**SIGNATURE SERIES BOTTLE WELL**  
12" Length



TSC12IBW-MH



TSC12IBW



*Note: Soda gun system not included. Shown for clarity only.*

JOB	
AREA	
ITEM NO.	
MODEL NO.	

MODELS	
TSC Series	TSCE Series
TSC12IBW	TSCE12IBW
TSC12IBW-MH	

MODEL NUMBERS - TSC12IBW, TSC12IBW-MH, TSCE12IBW

**KEY PRODUCT FEATURES AND BENEFITS**

- Keep wine, beer, champagne, juice or syrups at arm's reach without cross contamination into serviceable ice
- Quality, all stainless steel construction, smooth inner liner with no exposed joints or seams
- Keeps juice, mix, syrups, wine and beer bottles chilled and at arms reach
- Available in shallow depth with or without a manifold housing and full depth
- Model TSC12IBW-MH includes tool-less "flip-down" integrated soda manifold housing designed for use with Wunder Bar® and Schroeder America™ 8-14 product soda gun/manifolds
- Manifold mounts to inside cover for easy access and service – keeps soda lines out of customers' view
- Stainless steel legs install without tools and have "rust-free" thermoplastic feet

**Quick Features:**

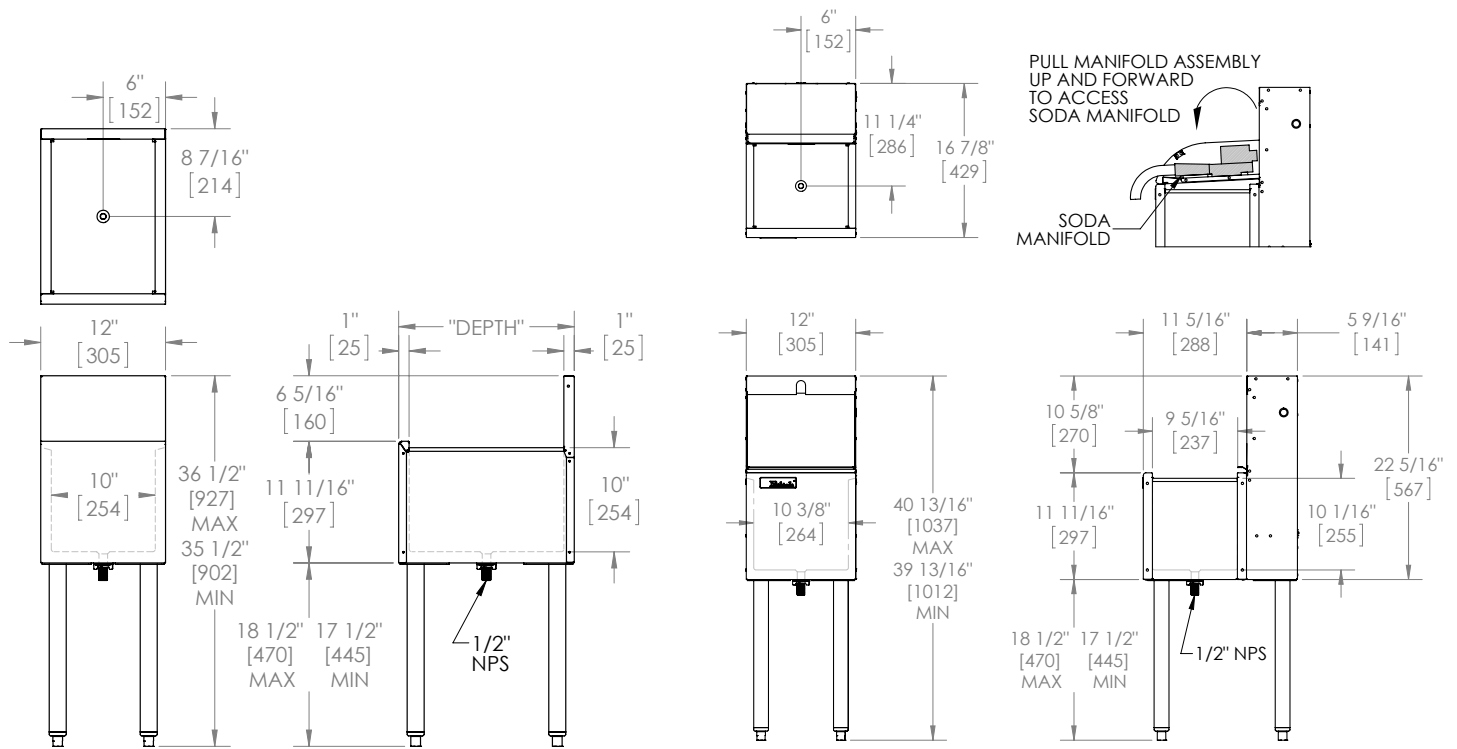
- Keeps juice, mix, syrups, wine and beer bottles chilled and at arms reach
- Quality, all stainless steel construction, smooth inner liner with no exposed joints or seams
- Industries Best Thermo-tech keeps your ice frozen longer so your juices and mixes stay cold throughout a shift
- (-MH) Model incorporates a soda manifold housing into the back of the unit, used with ice chests with cold plates



**SIGNATURE SERIES BOTTLE WELL**  
12" Length

MODEL NUMBERS - TSC12IBW, TSC12IBW-MH, TSCE12IBW

MODEL NOS.	TSC12IBW	TSC12IBW-MH	TSCE12IBW
DIMENSIONS: EXTERIOR (mm)	LENGTH	12" (305)	12" (305)
	DEPTH (mm)	16-7/8" (429)	27-9/16" (701)
	SHIP WT. lbs. (kg)	35 (15.9)	40 (18.1)
CONSTRUCTION	All stainless steel construction. Stainless steel interior with 1/4" radius corners, welded and sealed.		
BACKSPLASH	<b>TSC and TSCE Series:</b> Stainless steel 6" high (4" high optional) with 1" return at top, mechanically fastened and sealed. <b>TSD Series:</b> Not applicable		
INSULATION	Foamed-in-place polyurethane		
PLUMBING	Drain Connection: 1/2" NPS		
BOTTLE CAPACITY (3-3/4" DIA. BOTTLES)	8	5	14
SODA GUN MANIFOLD	N/A	(Qty. 1) 8-14 button soda gun manifold (not included). <i>Note: gun holder to be mounted to underside of bar top</i>	N/A
LEGS	1-5/8" tubular, stainless steel with 1" adjustable thermoplastic foot		



NOTE: SODA GUN SYSTEM NOT INCLUDED. SHOWN FOR CLARITY ONLY.