



# DUAL PEDAL – FOOT CONTROL FAUCET

## Installation and Maintenance Guide



Form No. Z2903  
Rev. 07.18.24

### PURPOSE:

This document is designed to walk the installer through how to install the Perlick dual pedal foot operated valve assembly. Contained within you'll find specifications, installation information, maintenance and troubleshooting guidelines along with some drawings and exploded views.



67420-2-LF

### SPECIFICATIONS:

#### Foot Pedal Specifications:

Pedal valve:

- (2) 1/2" NPT Female Inlets
- (1) 1/2" NPT Female Outlet
- Operating Temperature: 40-180°F
- Operating Pressure: 20-125 PSI
- #10 mounting holes
- Approximate shipping weight - 5lbs

#### Commercial Quality Features:

- Foot operated valve
- For use with spout bases
- Self-closing valves
- Color indexed pedals
- Dual pedal operation
- (2) 1/2" NPT female inlets and (1) 1/2" NPT female outlet
- Rough chrome valve body with highly polished chrome foot pedals

#### Compliance Certifications:

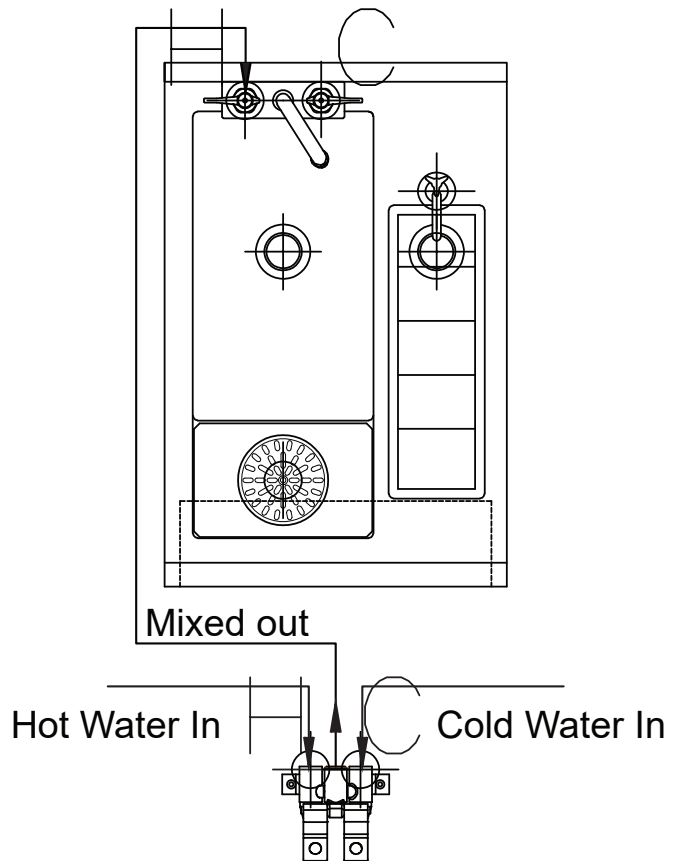
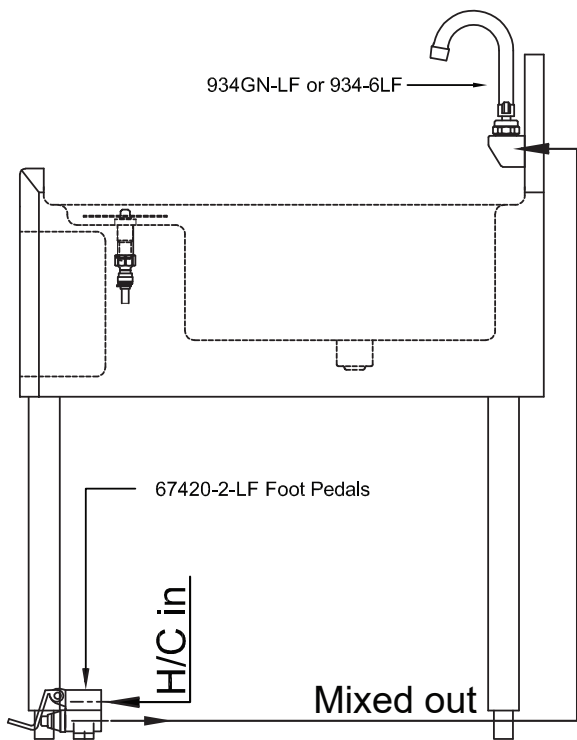
**COMPLIES WITH:**  
ASME A112.18.1-2005  
CSA B125.1-05  
NSF/ANSI 61/9, ANNEX G  
SECTION 116875 OF THE  
CALIFORNIA HEALTH & SAFETY CODE  
(COMMONLY KNOWN AS AB1953)  
VERMONT ACT 193  
UNIFORM PLUMBING CODE



### FOOT PEDAL OPERATED FAUCET INSTALLATION:

#### Field Connect Foot Pedals to Handle Operated Faucet

- 1) Connect hot water line into the foot pedal, and cold water line into the foot pedal.
- 2) Connect mixed hot/cold common line to either hot or cold side on the handle operated faucet.
- 3) Plug or seal the unconnected side of the handle operated faucet.
- 4) Leave handle of connected side open to transfer control to the foot pedals.



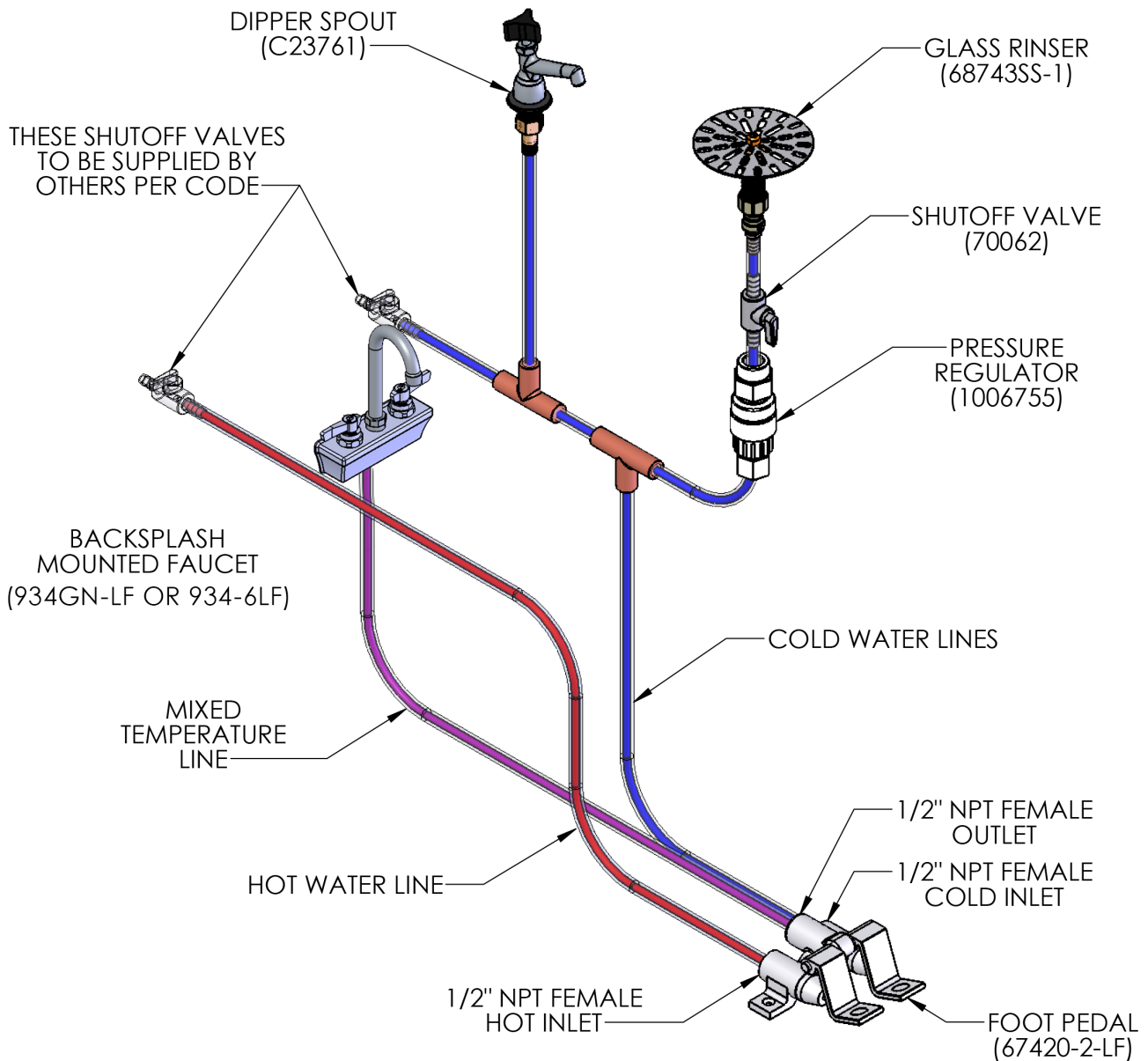
**Note:** Common foot pedal location for a bartender prep sink is near the bartender.

Tobin Ellis Signature Series: under the right curved speed rail (Speed rail part number SRC-CR, see page 8).

Perlick Top Shelf under the speed rail.

### Handle operated faucet connection for foot pedals on a Prep Sink

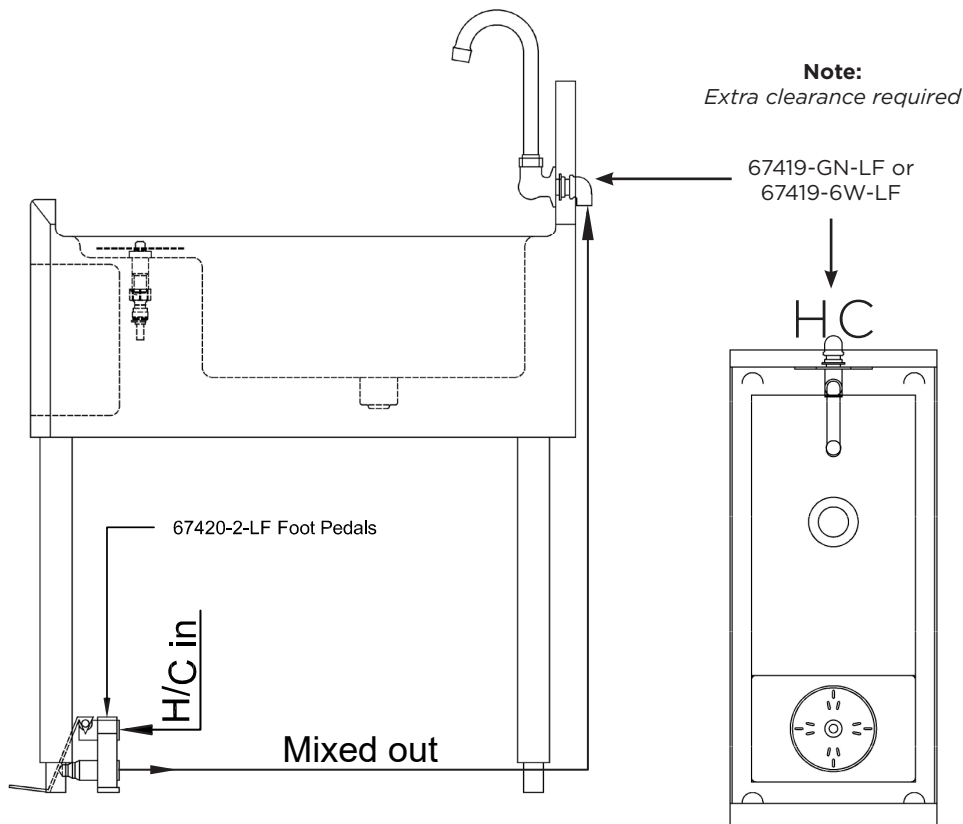
**Note:** Image represents a Prep Sink with a tool well faucet and rinser



### FOOT PEDAL OPERATED FAUCET INSTALLATION:

#### Field Connect Foot Pedals to Foot Pedal Operated Faucet

- 1) Connect hot water line into the foot pedal, and cold water line into the foot pedal.
- 2) Connect mixed hot/cold common line to faucet spout.



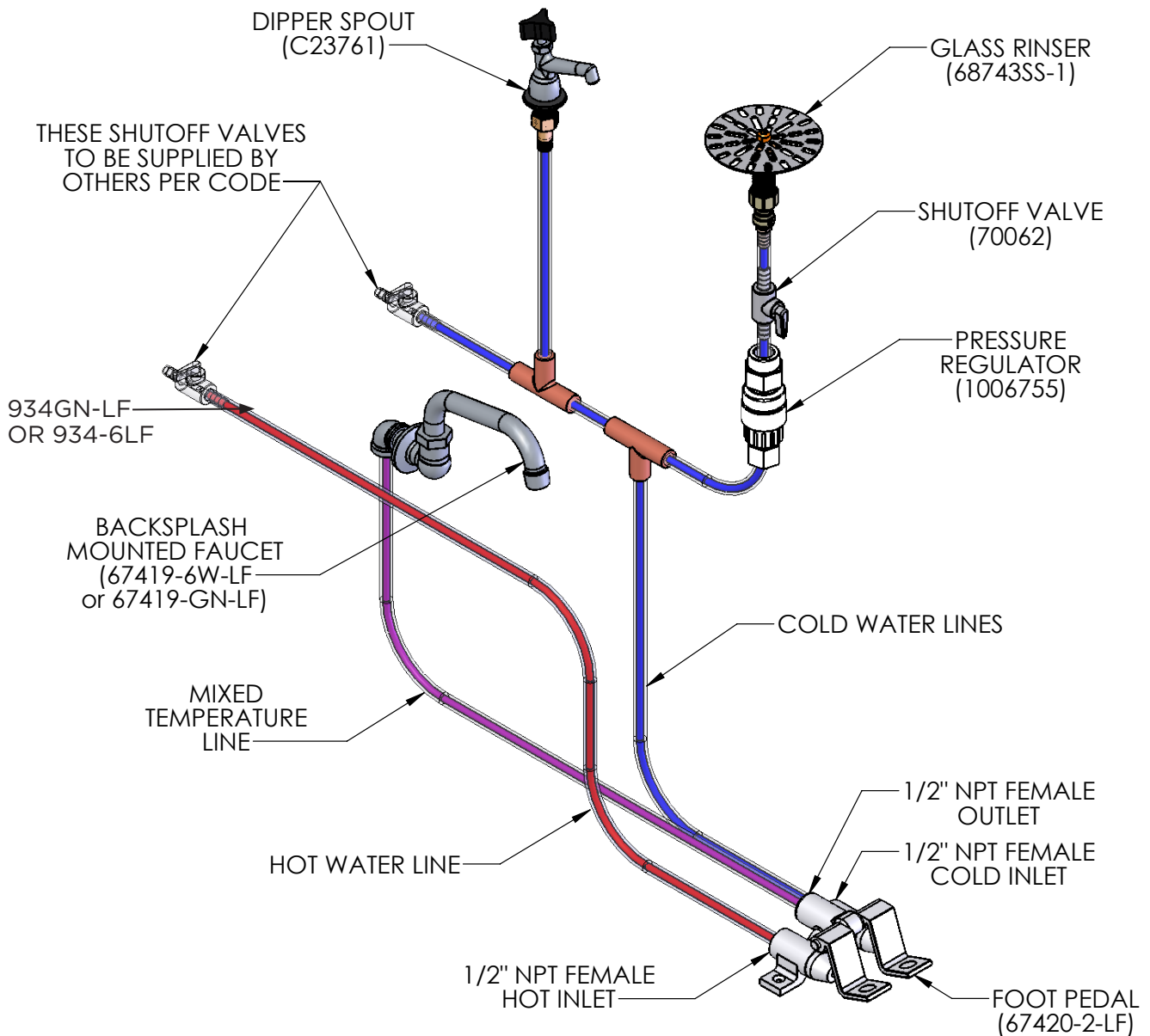
**Note:** Common foot pedal location for a bartender prep sink is near the bartender.

*Tobin Ellis Signature Series: under the right curved speed rail (Speed rail part number SRC-CR, see page 8).*

*Perlick Top Shelf under the speed rail.*

### Foot pedal operated faucet connection for a Prep Sink

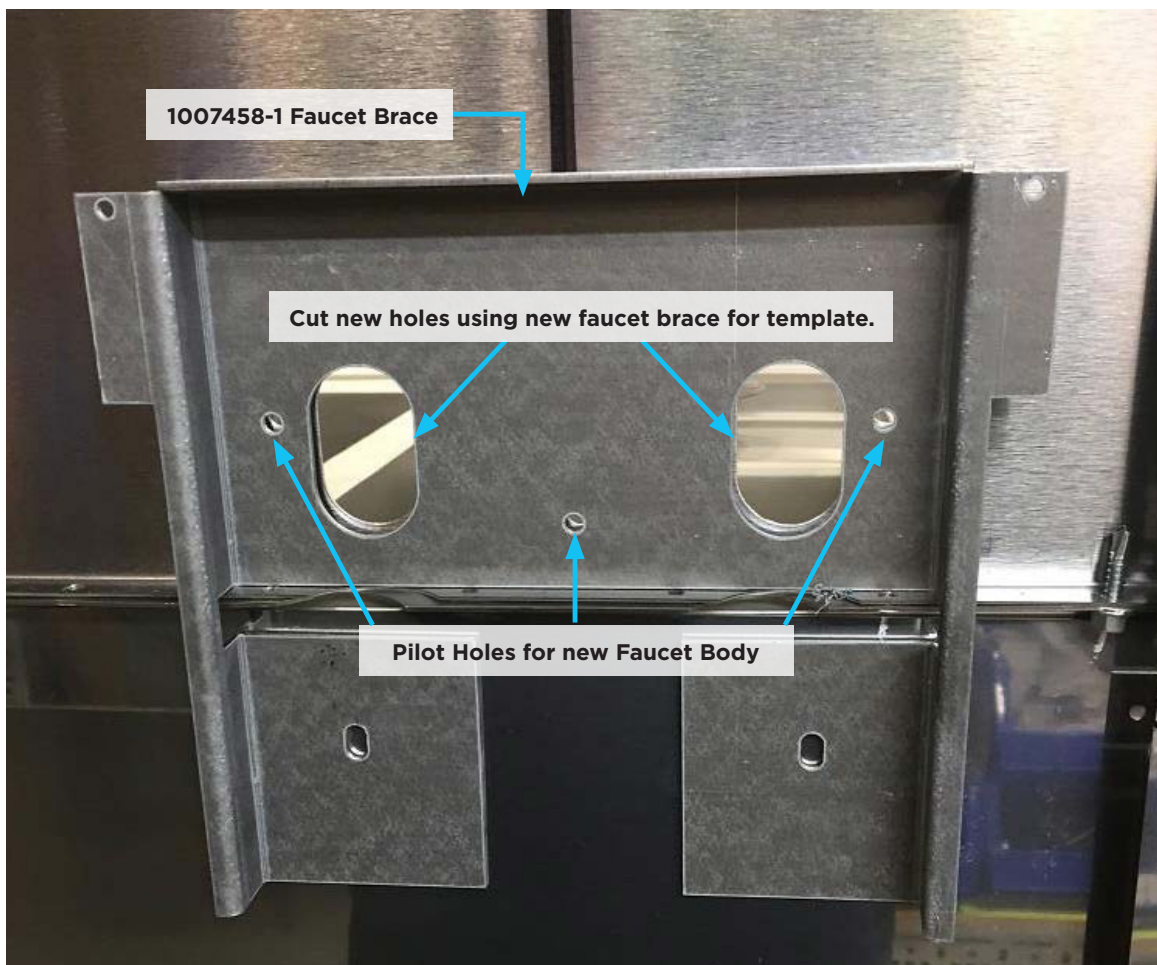
**Note:** Image represents a Prep Sink with a tool well faucet and rinsers



### FOOT PEDAL OPERATED FAUCET INSTALLATION:

Field convert foot pedal operated faucet spout 67419-6W-LF or 67419-GN-LF on Tobin Ellis Signature Series prep sink to standard handle operated faucet 934GN-LF goose neck or 934-6LF swing spout.

- 1) Remove existing faucet, brass elbow and faucet brace.
- 2) Mount p/n 1007458-1 replacement faucet brace with existing screws. Use the faucet brace as a template to cut two new obround holes and pilot holes for the mounting screws in the backsplash.  
\*See image below.
- 3) Mount the new faucet body from the front using instructions included with the new faucet.

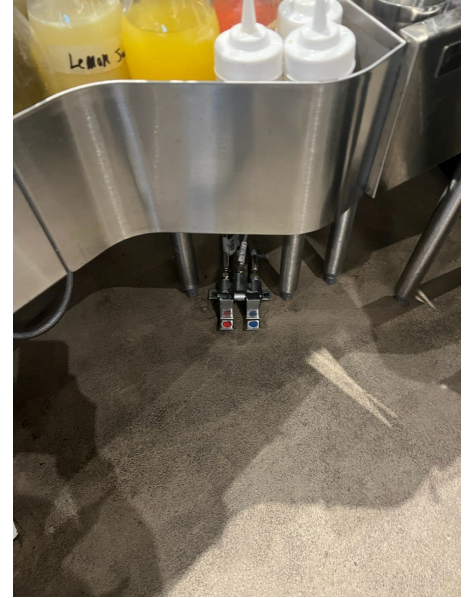


### FOOT PEDAL INSTALLATION:

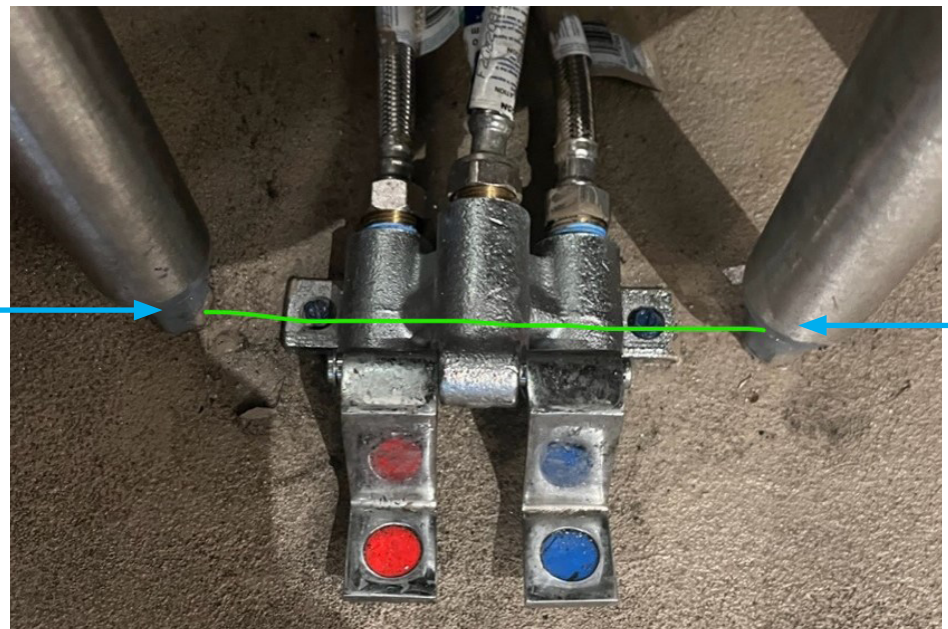
#### Tobin Ellis Signature Series Location for Installation

The location of the foot pedals should be such that the bartender can reach both the hot and cold pedals independently by just taking a half step forward in a comfortable, natural position without having to move out of their station. The location should not create a tripping hazard because the bartender is constantly shuffling their feet underneath their station.

Best practice is to have a bartender, bar manager or bar consultant set the location for the contractor to bolt them to the floor. This will ensure zero-step bartending is intact.



**Installation should be in line between the right leg of the ice chest and the left leg of the liquor step**  
*(See Green Line In the image)*





### METHOD FOR INSTALLING THE DUAL FOOT PEDAL

#### Pro-concrete Anchor Installation Tools Needed:

- Rotary hammer drill with built-in HEPA dust extraction
- SDS Plus bits
- SDS Plus Tapcon bits and installation kit (*not shown*)
- HEPA dust extractor (*not pictured*)
- 3 or 4 lbs. engineering hammer
- Construction screwdriver
- Impact wrench with impact sockets and construction socket handle
- Leaf blower to clean the surface after installation if needed
- PPE (hearing protection, eye protection, and a dust mask)

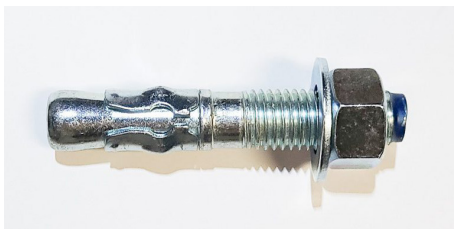


#### Anchor Type Recommended

Both wedge anchors and sleeve anchors are excellent types of concrete anchors that hold a tremendous amount of weight. They provide strength for both pullout and shear force. Because of the spitting/wedging force they put on the concrete, try to avoid getting closer than 3-inches to the edge of the concrete. If you do, you risk splitting off a chunk of the slab. Of the two, wedge anchors provide the most strength.



*The premium brand on the left and the cheap one is on the right... the premium brand is designed to keep the threads from deforming when you drive the anchor into the drilled hole.*



### Steps

1. **Set foot pedal in final location**
2. **Mark the floor for hole locations**
3. **Move foot pedal body and drill holes for anchors**
4. **Tap in anchors into the drilled holes**
5. **Replace foot pedal on anchors**
6. **Place washer and nut and tighten down**  
*(Locktite may be used on the threads)*

## Maintenance

### Daily

Foot pedal should be cleaned daily

### Monthly

Need more information

### Yearly

Need more information

## Troubleshooting

### Slight leak coming from the valve after install:

The cause of the leak is from the valve being over-tightened in the foot pedal assembly. If you loosen the valve by 10-20 degrees (about 1/16th of a turn) then it will stop the leaking faucet.

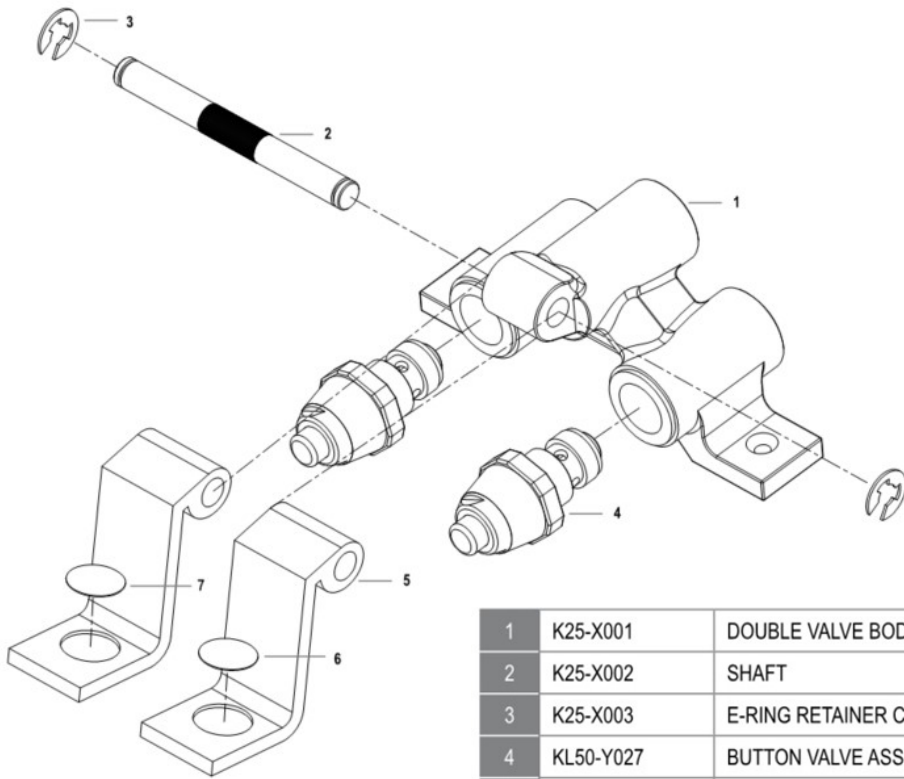


## Replacement Valve Assembly Installation

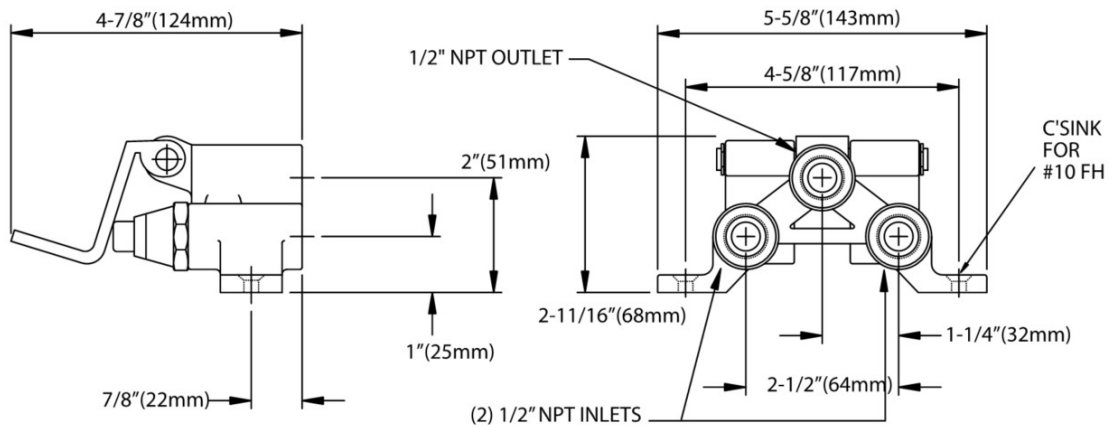
### If you need to replace the valve follow these steps:

1. Shut off the water to the foot pedal body
2. Lift the chrome foot pedal
3. Unscrew the valve assembly and pull all the way out
4. Lubricate the new valve assembly with food safe lubricate
5. Install the new valve assembly and thread in until tight

**WARNING: Do not overtighten or the valve will leak.**



1	K25-X001	DOUBLE VALVE BODY
2	K25-X002	SHAFT
3	K25-X003	E-RING RETAINER CLIP
4	KL50-Y027	BUTTON VALVE ASSEMBLY
5	K25-X005	FOOT PEDAL
6	K25-X007	COLD INDICATOR
7	K25-X006	HOT INDICATOR



*Dimensions shown in inches (mm) are for reference only and are subject to change.*



Form No. Z2903  
Rev. 0718.24

8300 West Good Hope Road • Milwaukee, WI 53223  
Toll Free 800.558.5592 • Fax 414.353.7069 • [info@perlick.com](mailto:info@perlick.com) • [www.perlick.com](http://www.perlick.com)