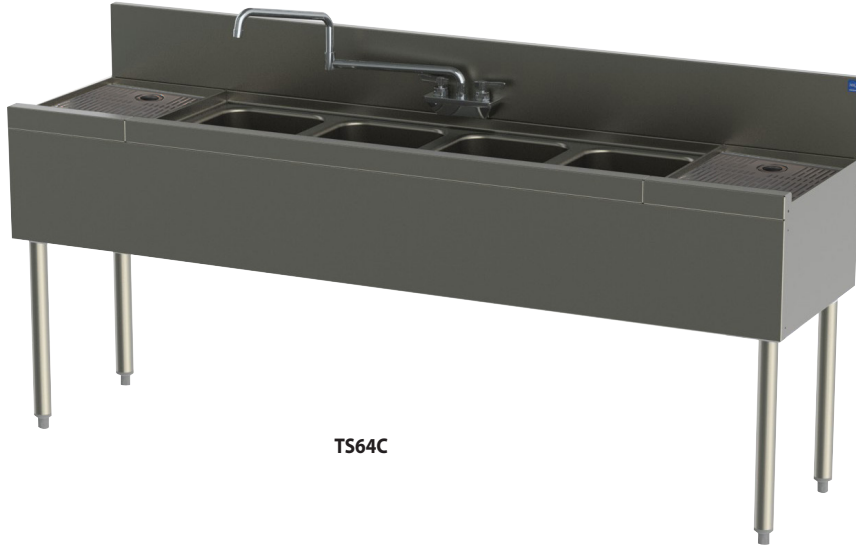




UNDERBAR SINKS
Four-tank, Stainless steel bowl

MODEL NUMBERS - TS(D)44C, TS(D)64C, TS(D)74C, TS(D)84C, TS(D)94C

NSF
 C US
 ASME A112.19.3/
 CSA B45.4
 NSF/ANSI 2



TS64C

JOB	
AREA	
ITEM NO.	
MODEL NO.	

MODELS	
TS SERIES	TSD SERIES
TS44C	TSD44C
TS64C	TSD64C
TS74C	TSD74C
TS84C	TSD84C
TS94C	TSD94C

KEY PRODUCT FEATURES AND BENEFITS

- Deep drawn stainless steel bowls
- NSF listed, commercial grade hot/cold water faucet (must be ordered separately)
- Embossed stainless steel drainboard with rear-center drain for increased glass storage capacity and easier plumbing
- Underside is sound-deadening
- Stainless steel legs install without tools and have rust-free thermoplastic feet

ACCESSORIES

MODEL NOS.	DESCRIPTION
934DJ-LF/926DJ-LF	18" Double-jointed Swing Spouts (wall/deck mounted)
944GN/946GN	Touch-free Faucets (wall/deck mounted)
26483PVC	Drain Connection Kit
7055A46	Wet Waste Pan (drains into standpipe)
CA01	California Health Code Requirement (weld and polish seams) for sinks with One drainboard
CA02	California Health Code Requirement (weld and polish seams) for sinks with Two drainboards



UNDERBAR SINKS
Four-tank, Stainless steel bowl

MODEL NUMBERS - TS(D)44C, TS(D)64C, TS(D)74C, TS(D)84C, TS(D)94C

MODEL NOS.		TS(D)44C	TS(D)64C	TS(D)74C	TS(D)84C	TS(D)94C
DIMENSIONS: Inches (mm)	Length	48" (1219)	72" (1829)	84" (2134)	96" (2438)	108" (2743)
	Weight (lbs)	125 (57)	150 (68)	16 (75)	200 (91)	220 (100)
	Drainboard (L)	N/A	12" (305)	18" (458)	24" (610)	30" (762)
MATERIALS	Front & Sides	Stainless Steel				
	Back & Bottom	Stainless steel				
	Backsplash	Stainless steel 6" high (4" high optional) with 1" return at the top, mechanically fastened and sealed to hand sink top with steel support brackets TSD Series: Stainless steel rear deck				
	Drainboard	Embossed stainless steel, 16" deep front to back with 1-1/2" stainless steel drain socket. All horizontal and vertical edges 1/4" radius with balled corners. Underside sound deadening.				
	Legs	1-5/8" tubular, stainless steel with 1" adjustable thermoplastic foot				
	Bowls	Stainless steel, 10"x14"x9-1/4" deep. All horizontal and vertical edges 1-1/2" radius with balled corners. Furnished with 1-1/2" stainless steel drain socket. 8-1/2" standpipe. Sound deadening underside.				
	Water Faucet	18" double-jointed swing spout faucet, hot and cold, heavy-duty all brass construction, chrome plated, wall or deck mounted, also available lead-free. Must be ordered separately.				
MECHANICALS	Plumbing	Drain connection: 1-1/2" NPS male. Hot and cold water connection TS Series: 3/8" copper supply tubes TSD Series: 1/2" IPS shanks and nuts				
OPTIONAL ACCESSORIES		18" double jointed swing spouts, wall or deck mounted, also available lead-free; drain connection kit, wet waste pan (drains into standpipe)				

