



# PERLICK®



## G5 ADA 24" FREEZER DRAWERS

Crafted with over a century of premier commercial refrigeration expertise, the Perlick G5 collection brings the most innovative refrigeration available into the home—empowering hosts to serve effortlessly, whether for one guest or many.

Job:  
Area:  
Item #:  
Model #:



G5FD24SA

\*Image shown with door panel installed, door panel ordered separately.



MODEL NUMBER	ITEM NUMBER	DESCRIPTION
G5FD24SA	URA24E61-5-SD00	Freezer, Drawers, ADA, G5

### G5 Collection Feature-Benefits

- **High-Performance Cooling:** Perlick’s fastest cool-down speed yet, powered by Perlick’s exclusive RAPIDcool™ technology chills every beverage quickly and evenly throughout the cabinet
- **Seamless, Beautiful Design:** Sleek cabinet profile with self-close drawers, integrate effortlessly into surrounding cabinetry
- **Trusted Performance:** Certified for indoor and outdoor use, delivering consistent performance in kitchens, patios, or rooftop terraces
- **Smart Technology:** Adapts to your usage and environment for frost-free, consistent cooling, while continuously monitoring unit health for easy troubleshooting and fast remote support
- **3-year parts and labor warranty, 6-year sealed system parts & labor, with 30-day initial aesthetics parts and labor warranty**
- **Quick-Cool Mode:** Chills beverages up to 20% faster for on-demand cooling
- **Intuitive Touchscreen Controls:** Sleek, modern interface with temperature, lighting, and diagnostics on an easy-to-use interface
- **Signature Legacy Handle:** Premium knurled stainless grip with cast end caps embossed with the Perlick emblem
- **Ultra-Quiet Performance:** Powered by Perlick-exclusive variable speed technology, G5 delivers up to 55% quieter operation than previous generations—our quietest performance yet.
- **Perlick Anti-Condensation System™:** Prevents condensation from forming on the exterior of the cabinet
- **Easy Installation:** Patent-pending front-access leveling legs allow quick adjustments without tipping the unit
- **Better For The Environment Refrigerant:** This product uses R600a refrigerant which has zero ODP and very low GWP
- **Exclusively Perlick:** Exclusively designed, engineered and manufactured by Perlick
- **Sabbath Mode-Star K certified** that allows equipment to operate in accordance with Halacha, Shabbat, and Jewish Holidays

### G5 Freezer Drawers Feature-Benefits

- Perfect for chilling glassware, storing large-format ice, and keeping frozen foods organized
- -10°F (-23.3°C) - 10°F (-12.2°C), Factory Set Point 0°F (-17.8°C)



800.558.5592

perlick.com



# PERLICK®



## G5 ADA 24" FREEZER DRAWERS

MODEL NUMBERS		G5FD24SA
MODEL DESCRIPTION		Freezer, Drawers, ADA, G5
OVERALL DIMENSIONS	Width - in. (mm)	23 7/8 (606)
	Depth - in. (mm)	22 1/2 (572)
	Height - in. (mm)	32 (813)
OPENING DIMENSIONS	Width - in. (mm)	24 (610)
	Depth - in. (mm)	24 (610)
	Height - in. (mm)	32 1/4 (819)
INTERNAL VOLUME Net. Cu. Ft. (L).		3.8 (107)
SHIPPING WEIGHT Lbs. (kg).		196 (89)
EQUIPMENT WEIGHT Lbs. (kg).		160 (73)
ELECTRICAL SPECIFICATIONS	Electrical Supply	115VAC/60 Hz/1 Ph
	Running Load Amps	2.8
	Electrical Connection	Cord connected
	Cord Plug Type	NEMA 3 Prong 5-15P
	Cord Length	6'
	Defrost Initiation	Automatic
	Defrost Type	Hot Gas
	Thermostat	Digital
	Lighting Type	LED
REFRIGERATION SPECIFICATIONS	Refrigerant	R600a (52g)
	Expansion Device	Capillary Tube
	Temperature Settings F (C)	-10° (-23.3°) - 10° (-12.2°) Factory Set Point 0° (-17.8°)
	Heat Rejection (at 75°F)	700 BTU/hr
	Front Vented	Yes

Perlick accessories are available for purchase through an authorized Perlick dealer. For a full list of accessories and to find a dealer near you, visit [perlick.com](http://perlick.com)



800.558.5592

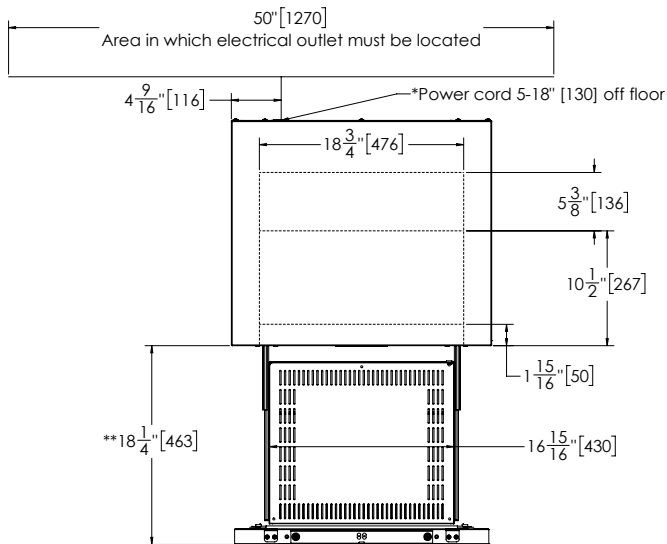
[perlick.com](http://perlick.com)



# PERLICK®

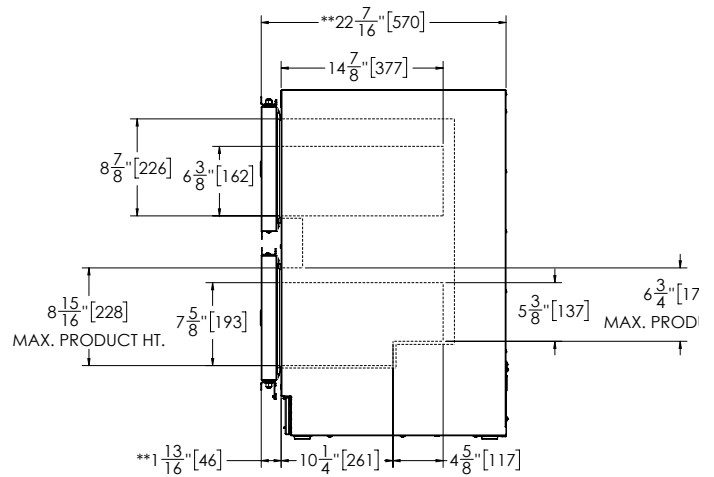
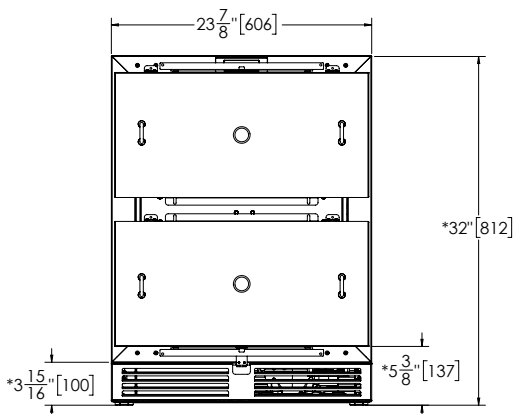


## G5 ADA 24" FREEZER DRAWERS



\*Leg levelers can add 3/4" [19] to these dimensions when fully extended

\*\* Overlay will add additional 3/4" [19] to overall depth. In addition, overall depth will change depending on handle selected



800.558.5592

perlick.com