



UNDERBAR COCKTAIL STATION
Perlick Pre-configured Cocktail Station



UCS60A



UCS48A

JOB	
AREA	
ITEM NO.	
MODEL NO.	

MODELS
UCS48A-LF
UCS48B-LF
UCS60A-LF
UCS60B-LF

MODEL NUMBERS - UCS48A-LF, UCS48B-LF, UCS60A-LF, UCS60B-LF

KEY PRODUCT FEATURES AND BENEFITS

- All stainless construction
- Many different underbar units are combined into one preassembled units
- 10 circuit cold plates are standard on all preconfigured stations
- Soda chases are standard on all stations to run soda lines up from the cold plate

Quick Features:

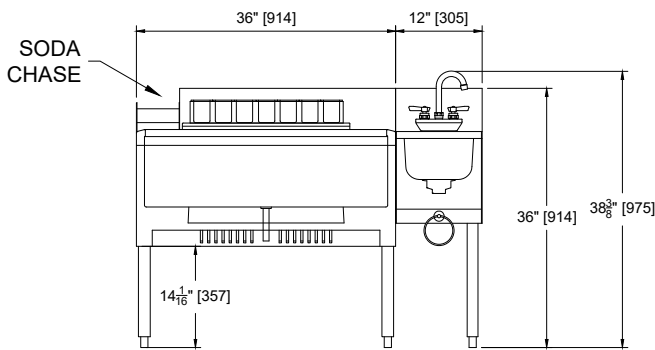
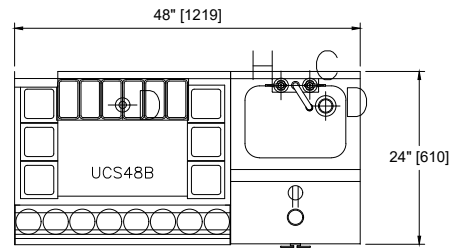
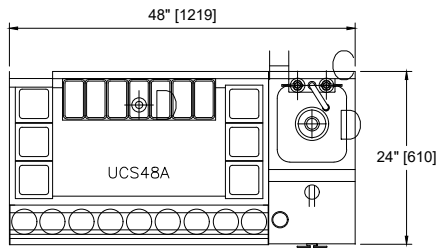
- UCS stations provide the convenience of a single model number to specify a curated line up of equipment
- Units are set up for maximum efficiency
- Ergonomics are at the center of our design and layout



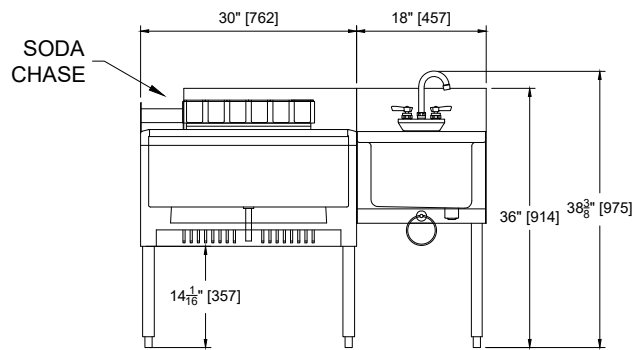
UNDERBAR COCKTAIL STATION
Perlick Pre-configured Cocktail Station

MODEL NUMBERS - UCS48A-LF, UCS48B-LF, UCS60A-LF, UCS60B-LF

MODEL NOS.		UCS48A-LF	UCS48B-LF	UCS60A-LF	UCS60B-LF
DIMENSIONS: EXTERIOR (mm)	Width	24"(610)	24"(610)	24"(610)	24"(610)
	Length	48"(1219)	48"(1219)	60"(1524)	60"(1524)
	Shipping Weight (lbs)	250 lbs. (113.4 kg)	250 lbs. (113.4 kg)	270 lbs. (122.4 kg)	280 lbs. (127 kg)
PERLICK BAR EQUIPMENT	Left to Right	36" Ice Chest, 12" Blender Sink	30" Ice Chest, 18" Blender Sink	42" Ice Chest, 18" Blender Sink	36" Ice Chest, 12" Blender Sink, 12" Liquor Display
	Accessories Included	6 bottle well cover, condiment bin, faucet, 36" single speed rail, towel ring, backsplash cut out for soda lines	6 bottle well cover, condiment bin, faucet, 30" single speed rail, towel ring, backsplash cut out for soda lines	9 bottle well cover, condiment bin, faucet, 42" single speed rail, towel ring, backsplash cut out for soda lines	6 bottle well cover, condiment bin, faucet, 36" single speed rail, towel ring, backsplash cut out for soda lines
MATERIAL	Ice Chest	Stainless steel, ABS top rim, galvanized back and bottom			
	Blender Sink	Stainless steel, shelf includes access hole for plug in cord			
	Liquor Steps	Stainless steel			
	Speed Rails	Stainless steel			
	Legs	1 5/8" tubular stainless steel with 1" adjustable rust free thermoplastic feet			
PLUMBING	Ice Chest	Drain Connection - 1/2" NPS Male Cold plate connections - 5/16" OD stainless steel tubing with swaged end to accept standard 1/4" ID beverage tubing			
	Blender Sink	1-1/2" NPS Male. Hot and cold water connection: TS Series: 3/8" O.D. copper supply tubes. TSD Series: 1/2" IPS shanks and nuts.			



UCS48A

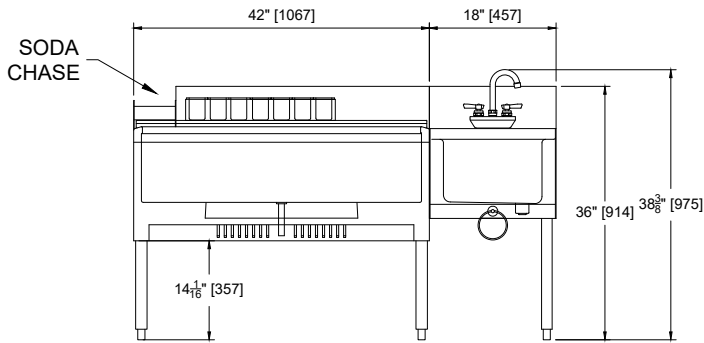
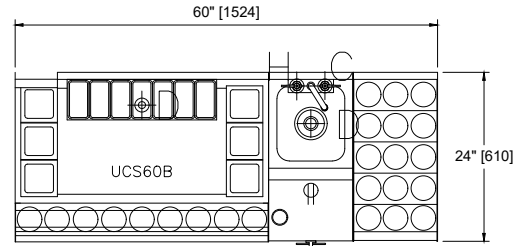
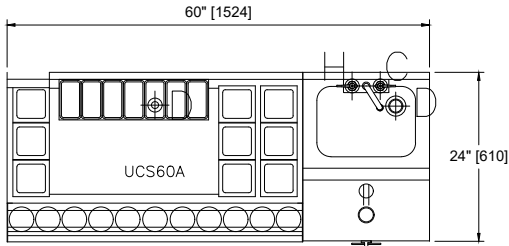


UCS48B

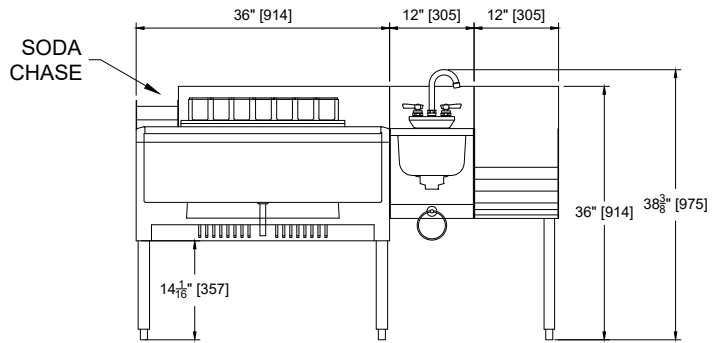


UNDERBAR COCKTAIL STATION
Perlick Pre-configured Cocktail Station

MODEL NUMBERS - UCS48A-LF, UCS48B-LF, UCS60A-LF, UCS60B-LF



UCS60A



UCS60B